

Service Manual

Created: 09 July 2016



XENYX 1832FX

Premium 18-Input 3/2-Bus Mixer with XENYX Mic Preamps, British EQs, 24-Bit Multi-FX Processor and USB/Audio Interface

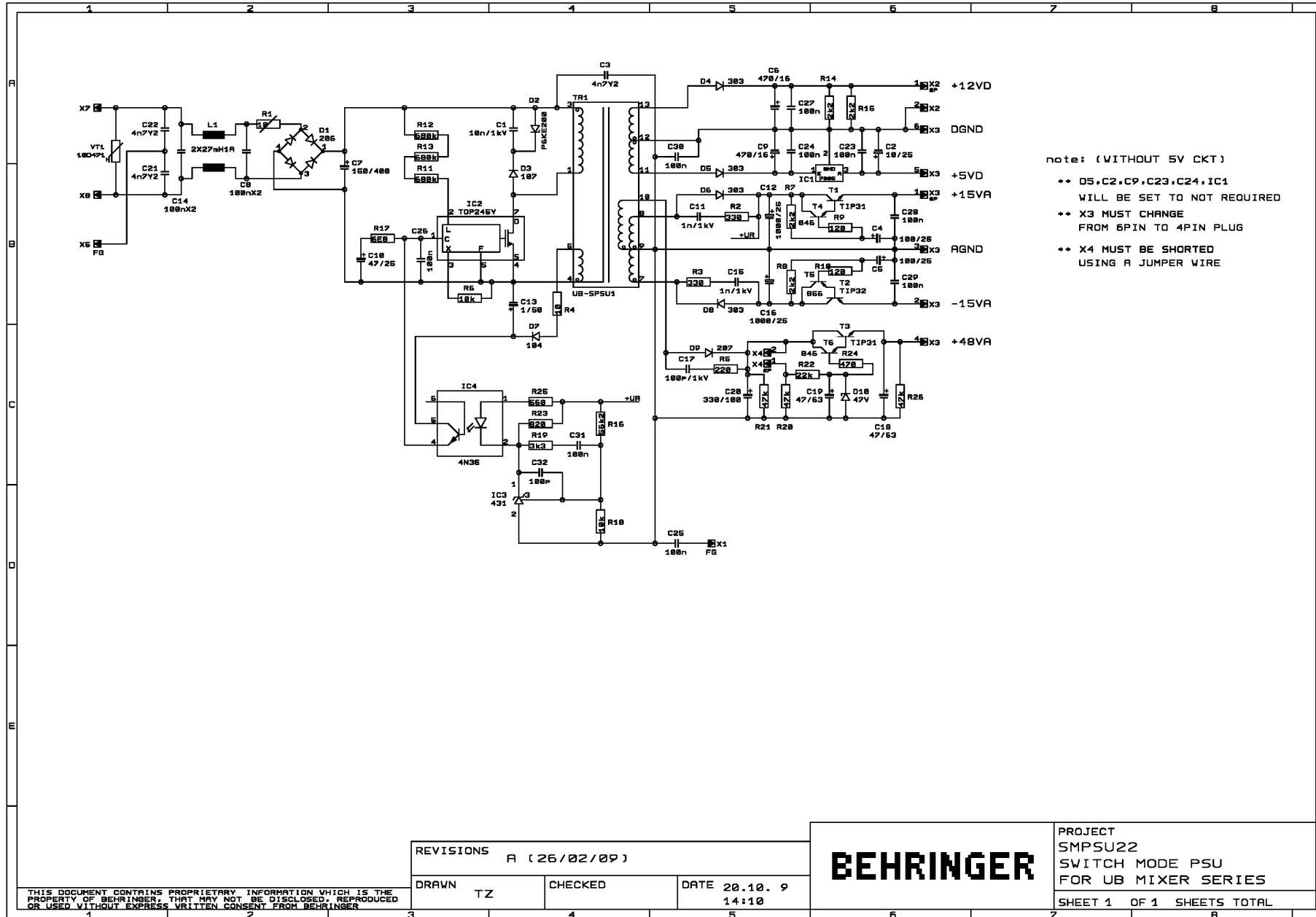
Specifications	2
PCB Schematic	3
Parts List	19
Exploded Drawing	34

© 2016 MUSIC Group IP Ltd. All third party trademarks mentioned belong to their respective owners and are not affiliated with MUSIC Group IP Ltd. All information (including drawings and diagrams) contained in this document is the property of MUSIC Group IP Ltd., its subsidiaries or content providers, and is protected by intellectual property (copyright, trademark, patents, etc) laws, international treaty provisions and other laws. Any unauthorized disclosure, use, application, reproduction, modification, lease, sale, transmission or any other dealings in the information may violate applicable laws and result in civil and/or (where applicable) criminal liabilities and penalties.

XENYX 1832FX

Specifications

- Premium ultra low-noise, high headroom analog mixer
- 6 state-of-the-art XENYX Mic Preamps comparable to stand-alone boutique preamps
- Neo-classic "British" 3-band EQs with semi-parametric mid band for warm and musical sound
- Studio-grade 24-bit stereo FX processor with 100 awesome presets including reverb, chorus, flanger, delay, pitch shifter and various multi-effects
- USB/Audio Interface included to connect directly to your computer. Free audio recording and editing software downloadable at www.behringer.com
- 9-band stereo graphic EQ allows precise frequency correction of monitor or main mixes
- Revolutionary FBQ Feedback Detection System instantly reveals critical frequencies
- Breathtaking XPQ 3D stereo surround effect for more vitality and enhanced stereo image
- Voice Canceller function for easy-to-use sing-along applications
- Channel inserts on each mono channel for flexible connection of outboard equipment
- 3 aux sends per channel: 1 pre fader for monitoring, 1 pre/post fader switchable for monitoring/FX applications, 1 post fader (for internal FX or as external send)
- Peak LEDs, mute, main mix and subgroup routing switches, solo and PFL functions on all channels
- 2 subgroups with separate outputs for added routing flexibility and 2 multi-functional stereo aux returns with flexible routing
- Balanced main mix outputs with ¼" jack and gold-plated XLR connectors, separate control room, headphones and stereo tape outputs
- Control room/phones outputs with multi-input source matrix; Tape inputs assignable to main mix or control room/phones outputs
- High-quality components and exceptionally rugged construction ensure long life
- Conceived and designed by BEHRINGER Germany



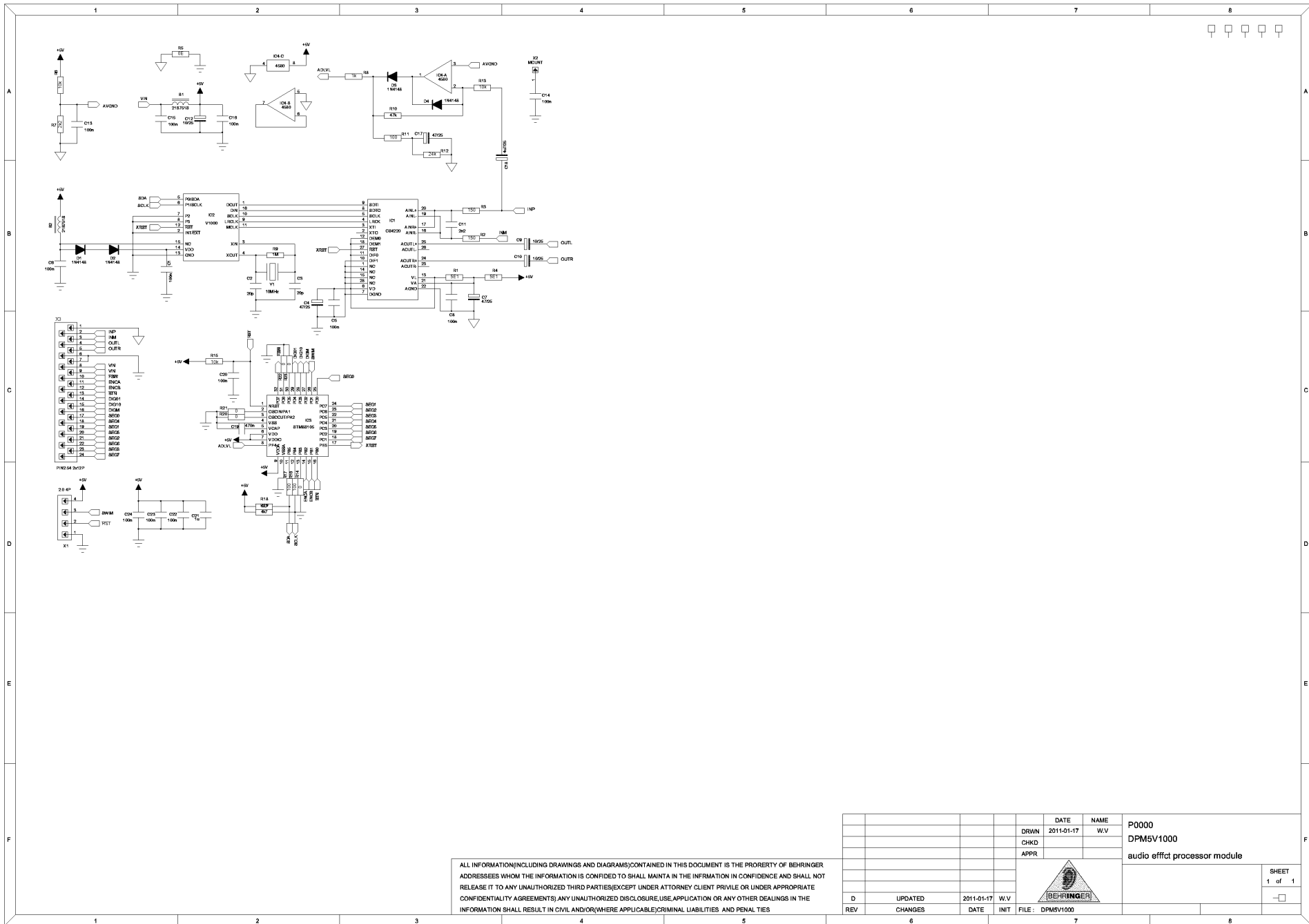
REVISIONS		
A (26/02/09)		
DRAWN	CHECKED	DATE
TZ		20.10. 9
		14:10

BEHRINGER


PROJECT
 SMPSU22
 SWITCH MODE PSU
 FOR UB MIXER SERIES
 SHEET 1 OF 1 SHEETS TOTAL

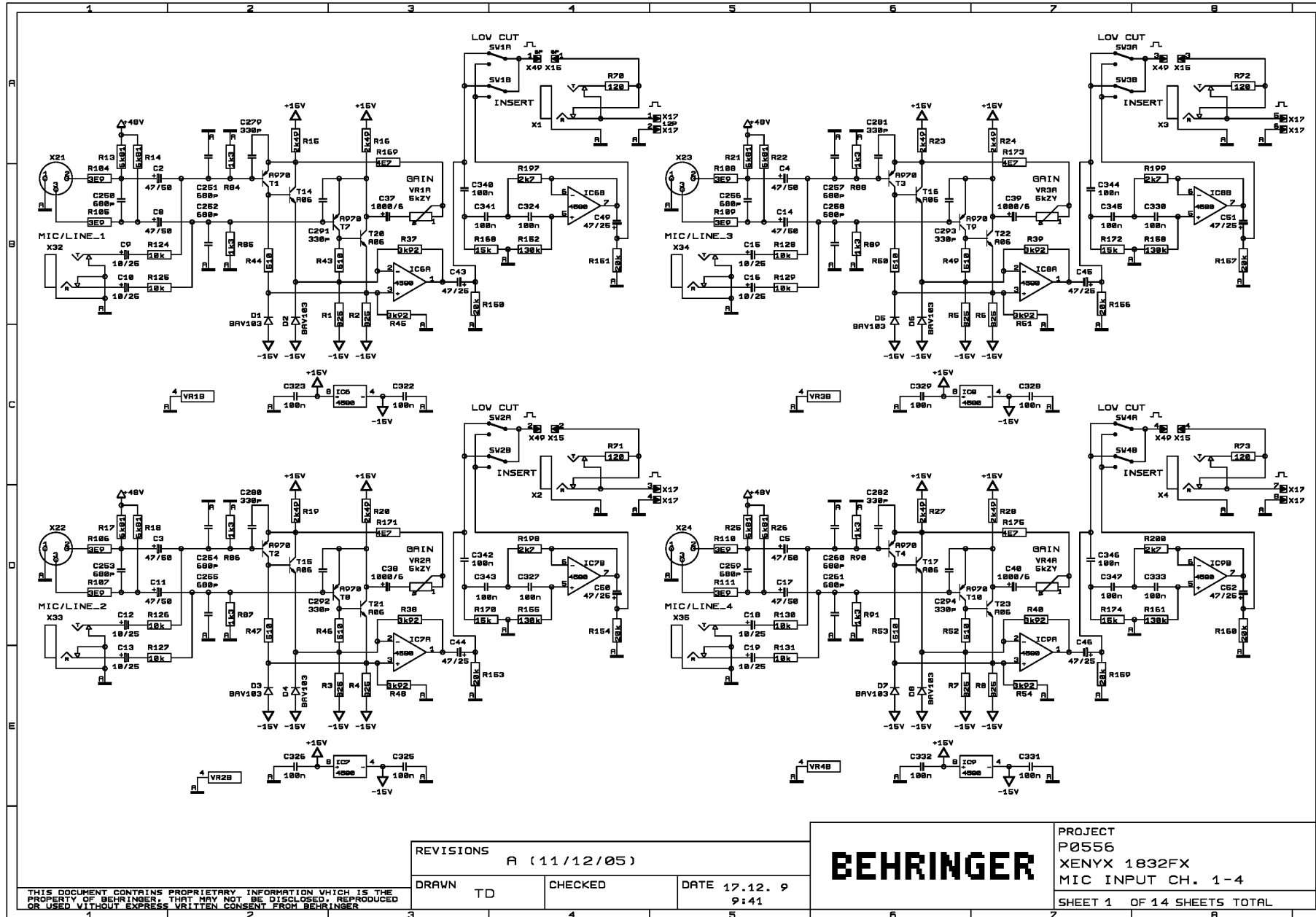
THIS DOCUMENT CONTAINS PROPRIETARY INFORMATION WHICH IS THE PROPERTY OF BEHRINGER. THAT MAY NOT BE DISCLOSED, REPRODUCED OR USED WITHOUT EXPRESS WRITTEN CONSENT FROM BEHRINGER.

X6 FG



ALL INFORMATION (INCLUDING DRAWINGS AND DIAGRAMS) CONTAINED IN THIS DOCUMENT IS THE PROPERTY OF BEHRINGER ADDRESSEES WHOM THE INFORMATION IS CONFIDED TO SHALL MAINTAIN THE INFORMATION IN CONFIDENCE AND SHALL NOT RELEASE IT TO ANY UNAUTHORIZED THIRD PARTIES (EXCEPT UNDER ATTORNEY CLIENT PRIVILEGE OR UNDER APPROPRIATE CONFIDENTIALITY AGREEMENTS). ANY UNAUTHORIZED DISCLOSURE, USE, APPLICATION OR ANY OTHER DEALINGS IN THE INFORMATION SHALL RESULT IN CIVIL AND/OR (WHERE APPLICABLE) CRIMINAL LIABILITIES AND PENAL TIES

DATE		NAME		P0000 DPM5V1000 audio effect processor module	SHEET 1 of 1
DRWN	2011-01-17	W.V			
CHKD					
APPR					
					
D	UPDATED	2011-01-17	W.V	FILE: DPM5V1000	
REV	CHANGES	DATE	INIT		

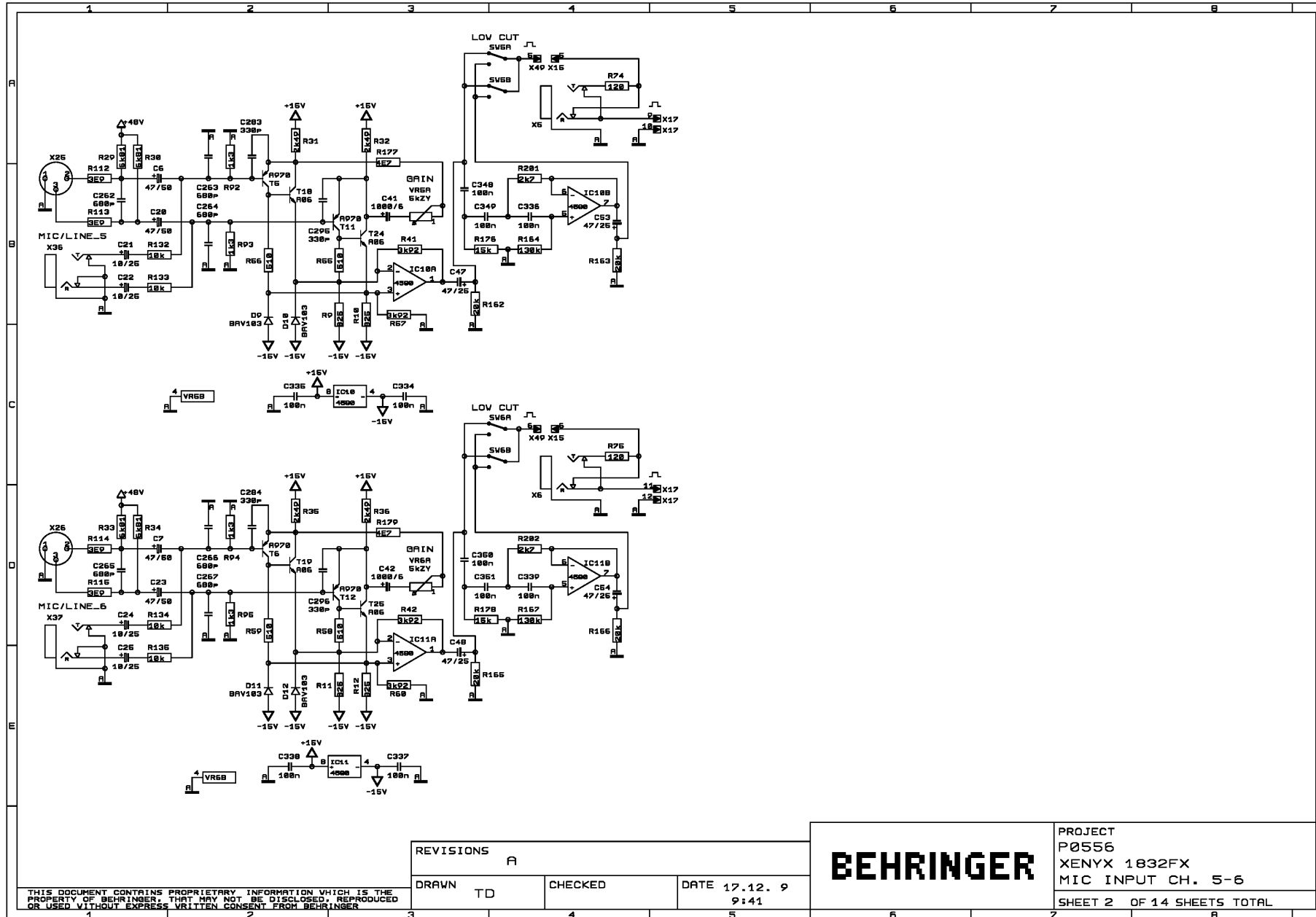


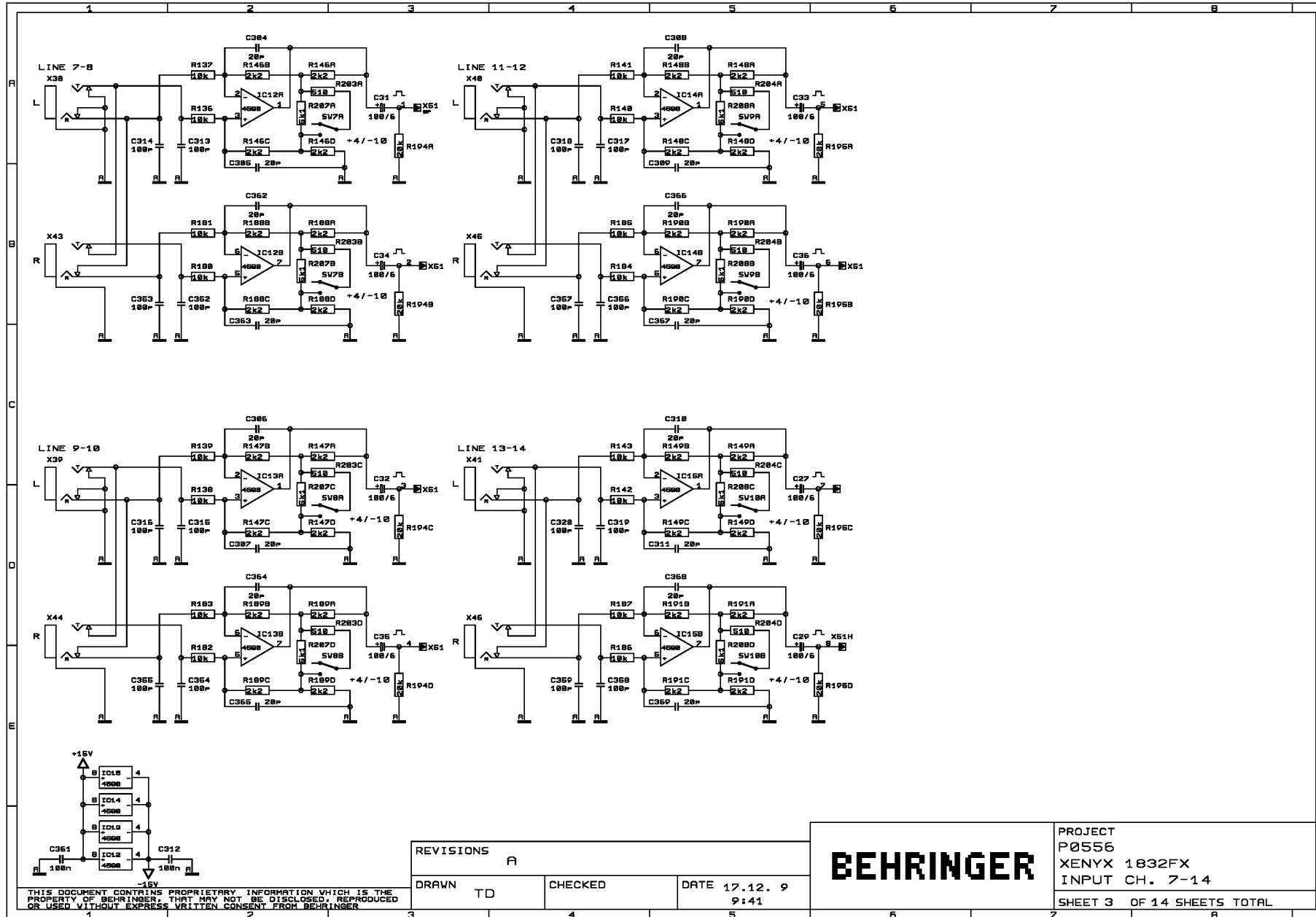
REVISIONS		
A (11/12/05)		
DRAWN	TD	CHECKED
DATE 17.12. 9		9:41

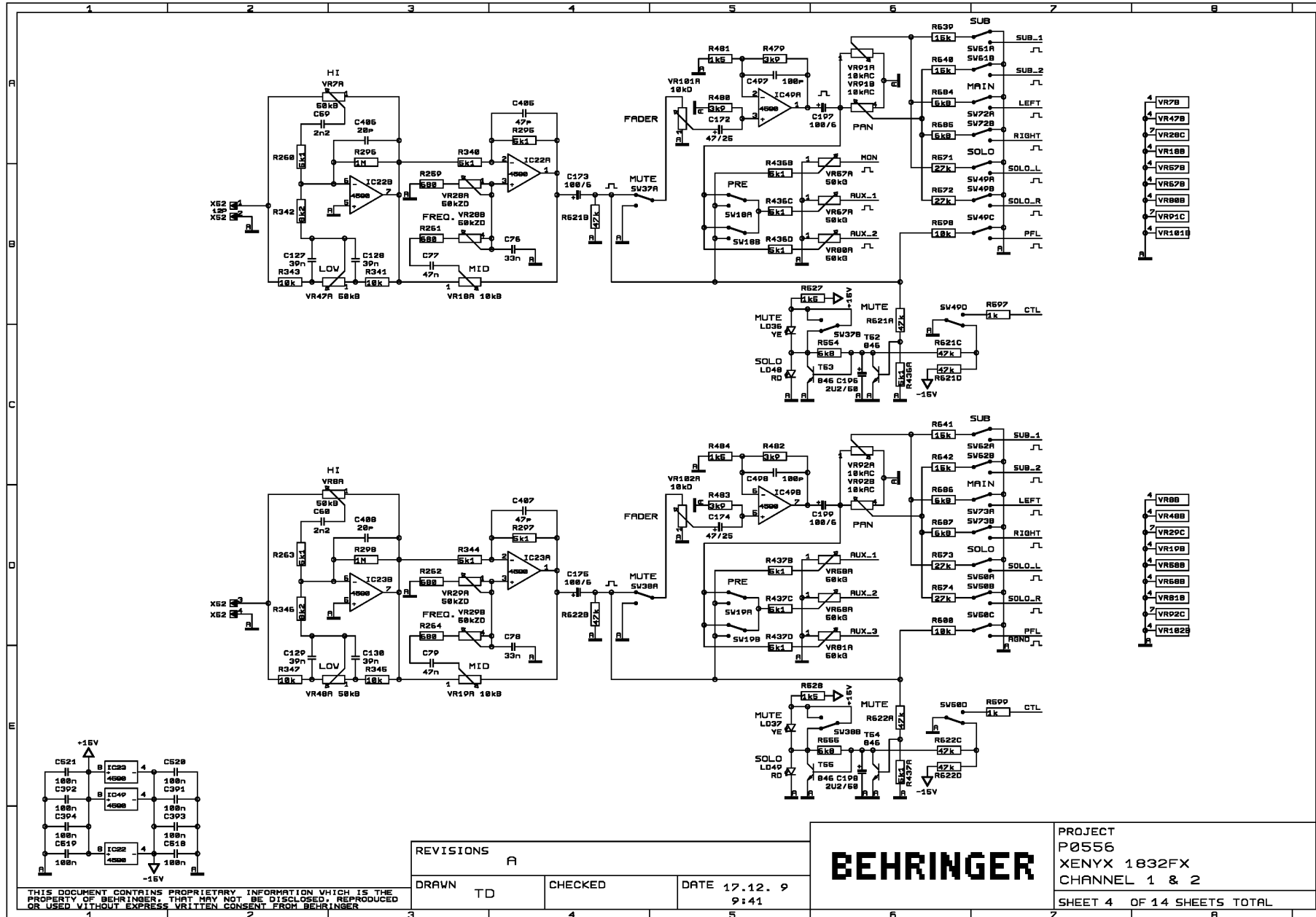
BEHRINGER

PROJECT
P0556
XENYX 1832FX
MIC INPUT CH. 1-4
SHEET 1 OF 14 SHEETS TOTAL

THIS DOCUMENT CONTAINS PROPRIETARY INFORMATION WHICH IS THE PROPERTY OF BEHRINGER THAT MAY NOT BE DISCLOSED, REPRODUCED OR USED WITHOUT EXPRESS WRITTEN CONSENT FROM BEHRINGER.



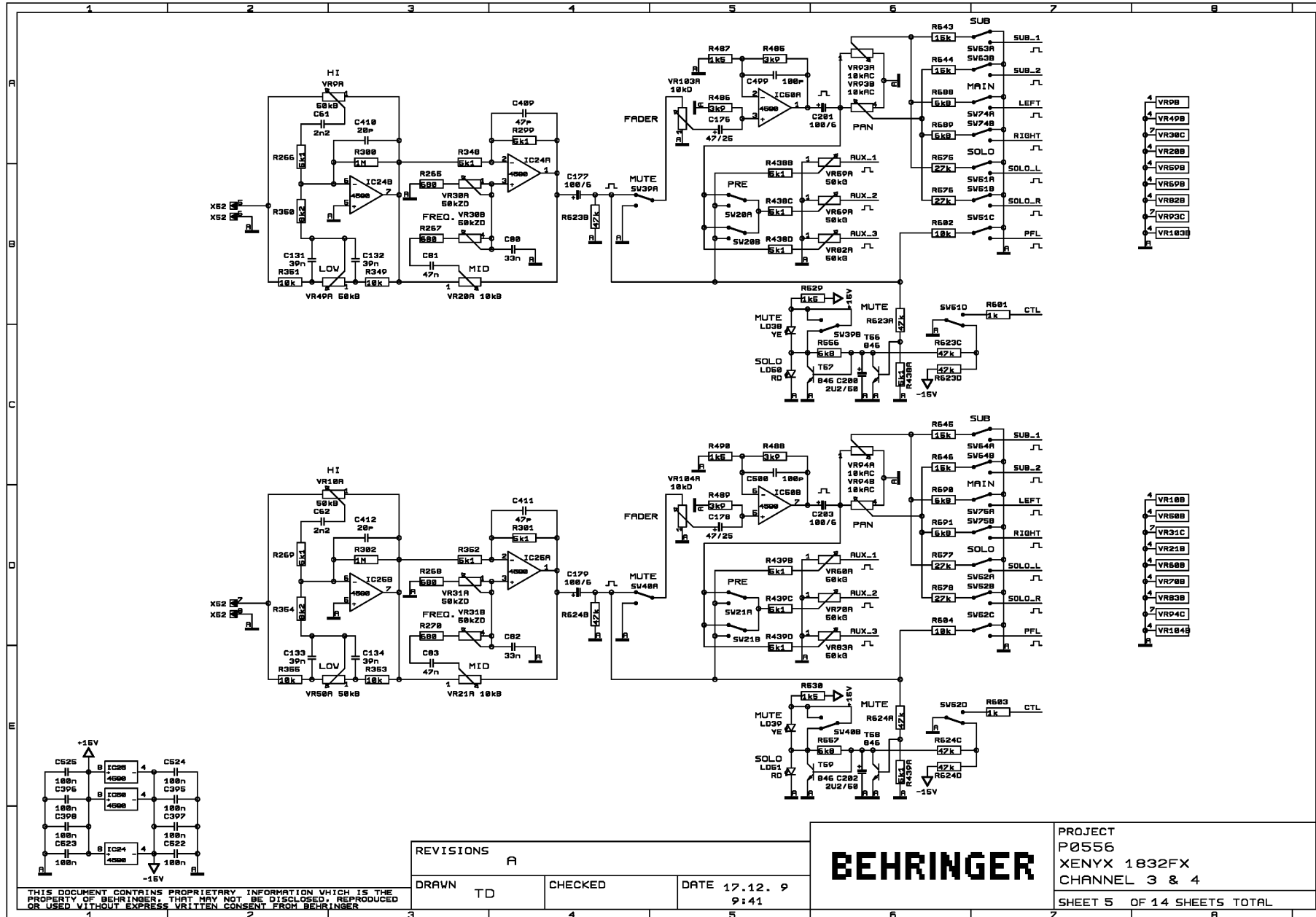




REVISIONS		A	
DRAWN	TD	CHECKED	DATE 17.12.9 9:41

BEHRINGER

PROJECT
P0556
XENYX 1832FX
CHANNEL 1 & 2
SHEET 4 OF 14 SHEETS TOTAL

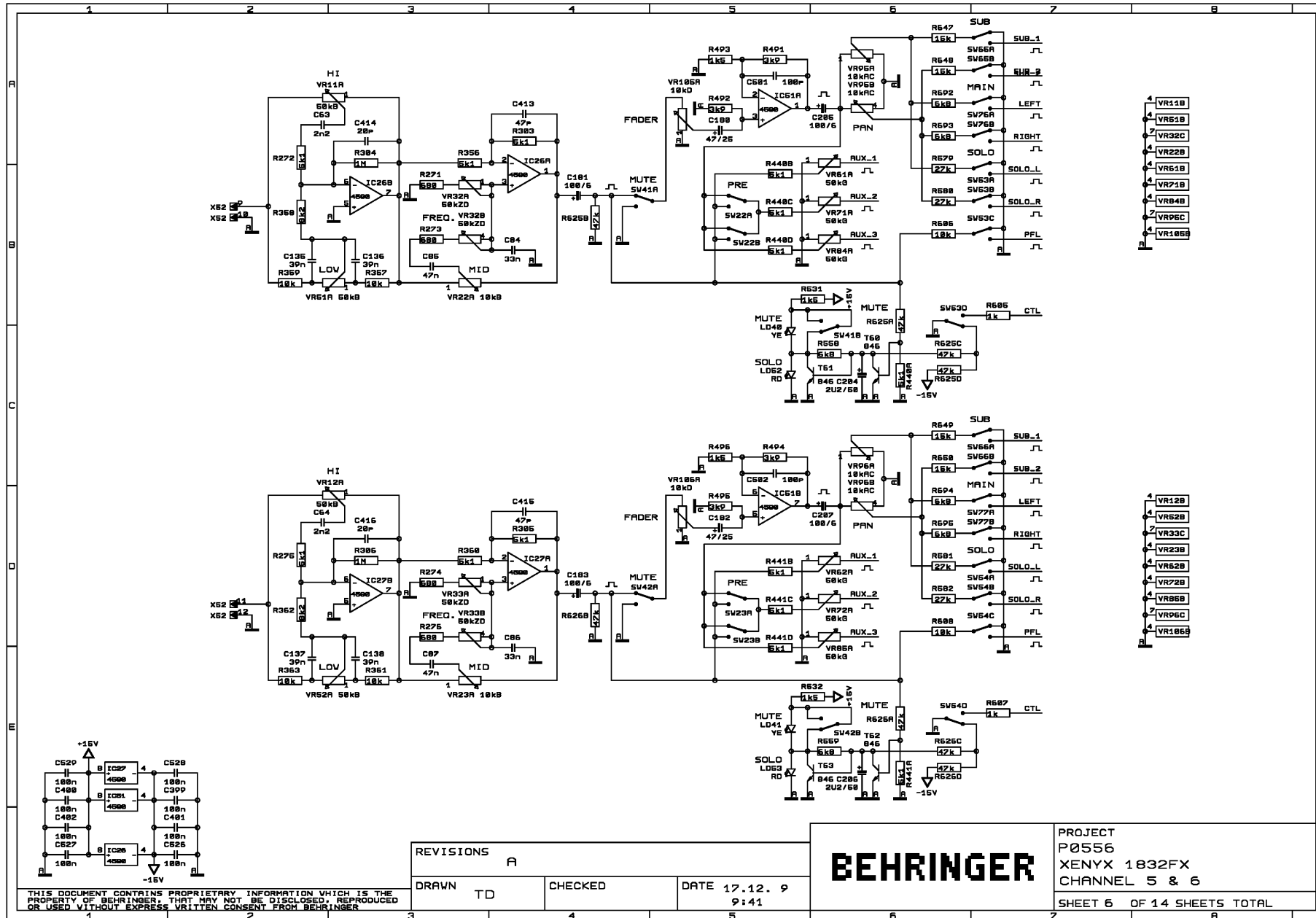


REVISIONS		A
DRAWN	TD	CHECKED
DATE		17.12.9
		9:41

BEHRINGER

PROJECT
P0556
XENYX 1832FX
CHANNEL 3 & 4
SHEET 5 OF 14 SHEETS TOTAL

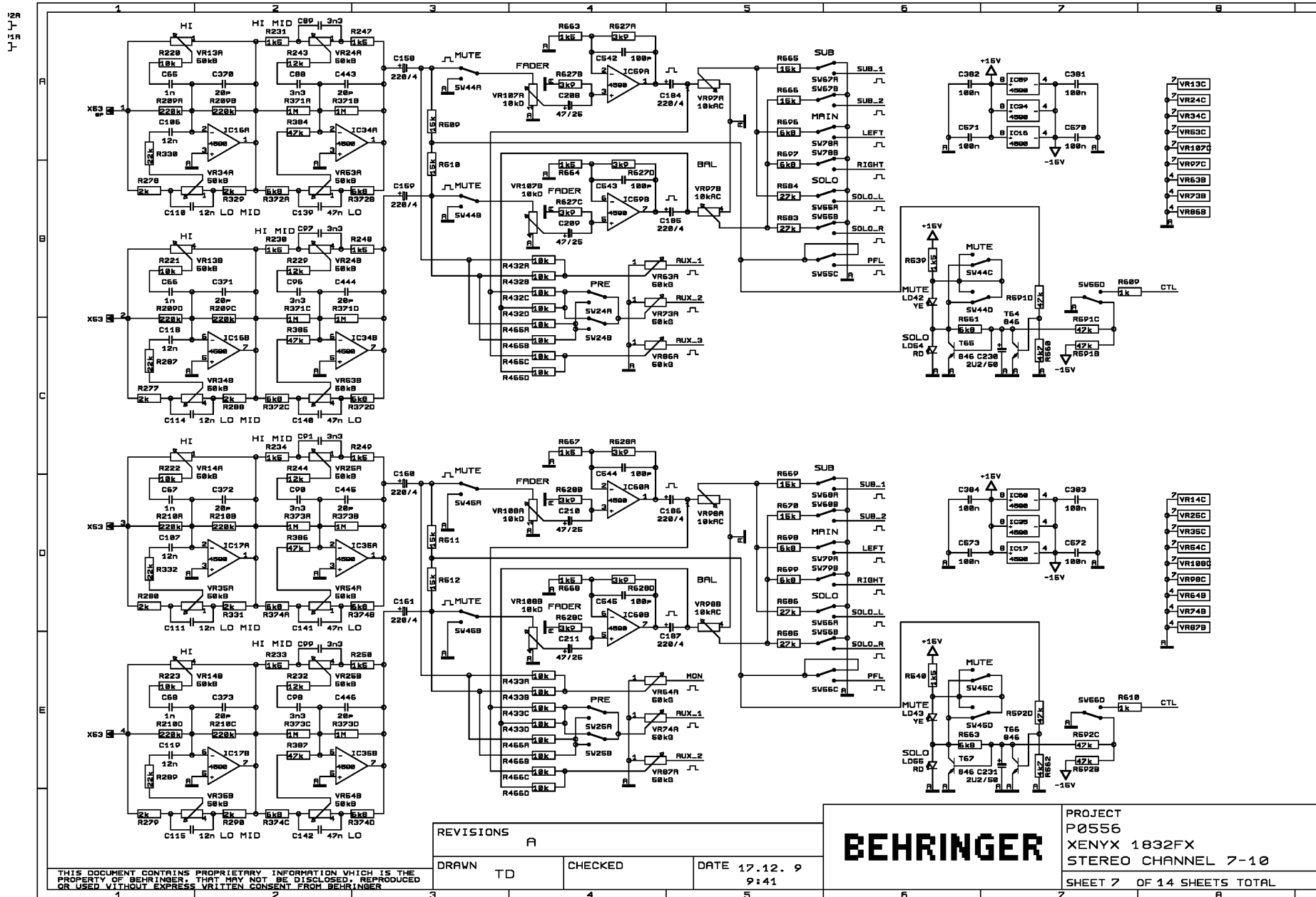
THIS DOCUMENT CONTAINS PROPRIETARY INFORMATION WHICH IS THE PROPERTY OF BEHRINGER THAT MAY NOT BE DISCLOSED, REPRODUCED OR USED WITHOUT EXPRESS WRITTEN CONSENT FROM BEHRINGER



REVISIONS		A
DRAWN	TD	CHECKED
DATE		17.12.9
		9:41

BEHRINGER

PROJECT
P0556
XENYX 1832FX
CHANNEL 5 & 6
SHEET 6 OF 14 SHEETS TOTAL

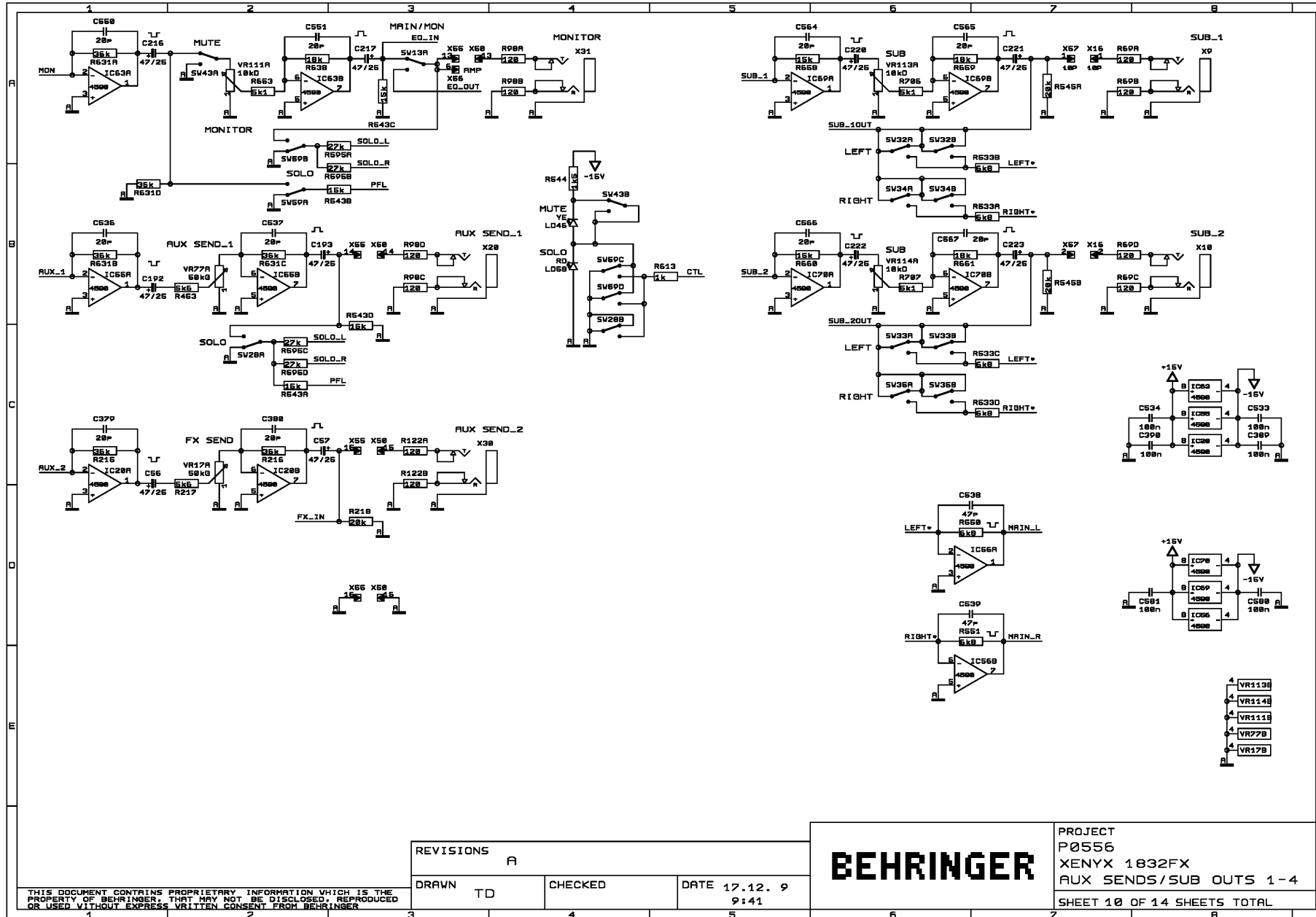


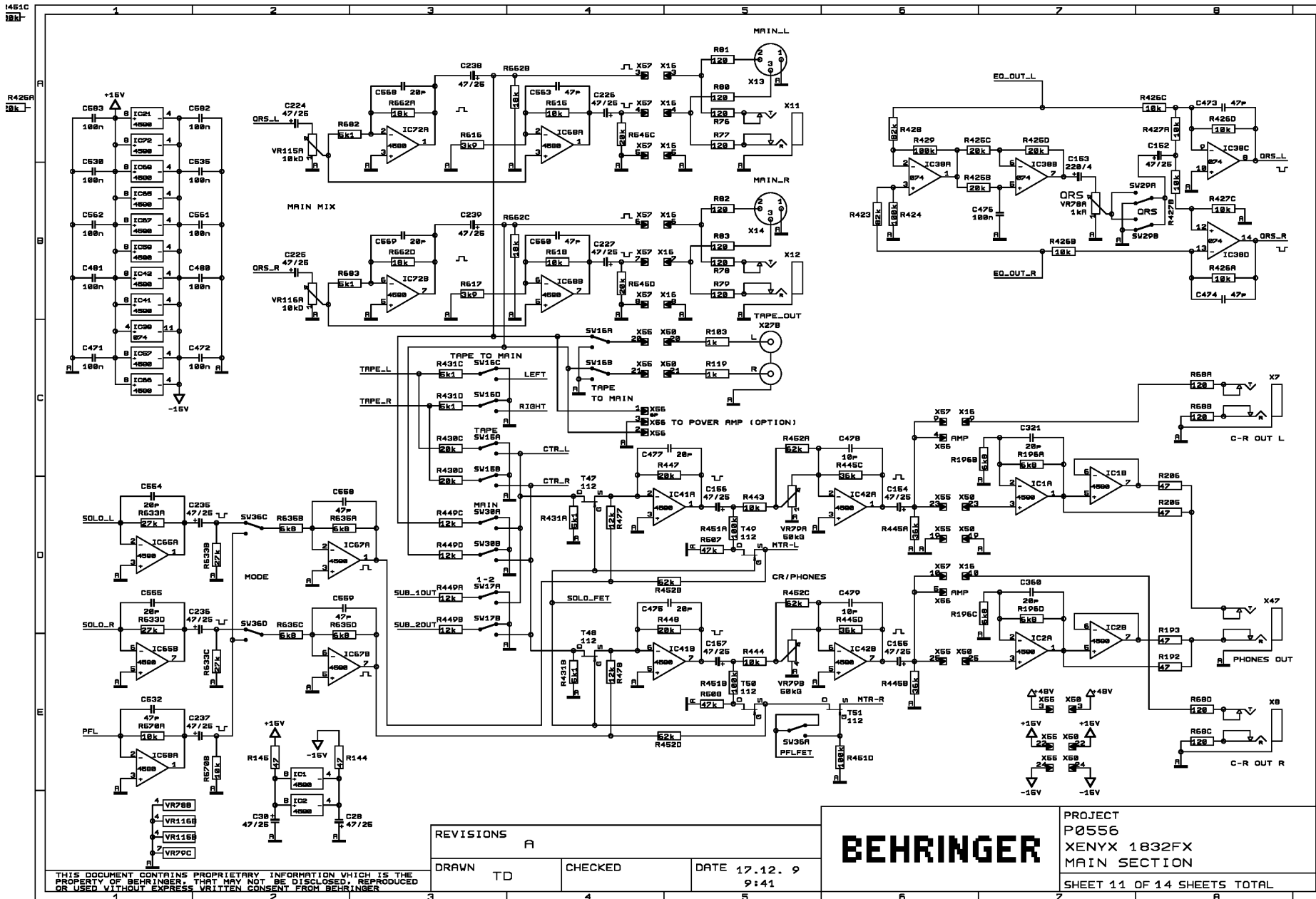
REVISIONS		
A		
DRAWN	CHECKED	DATE
TD		17.12. 9
		9:41

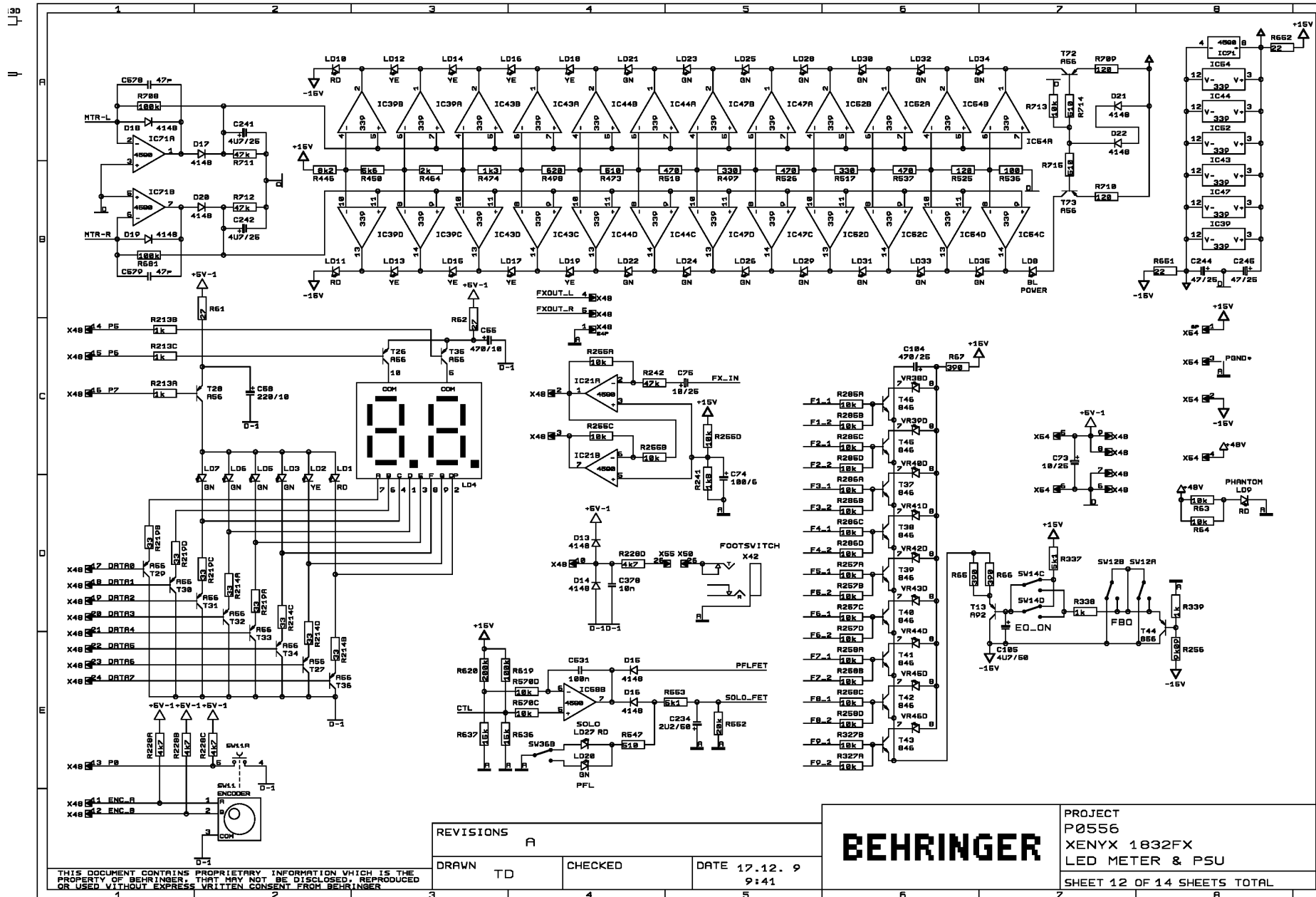
BEHRINGER

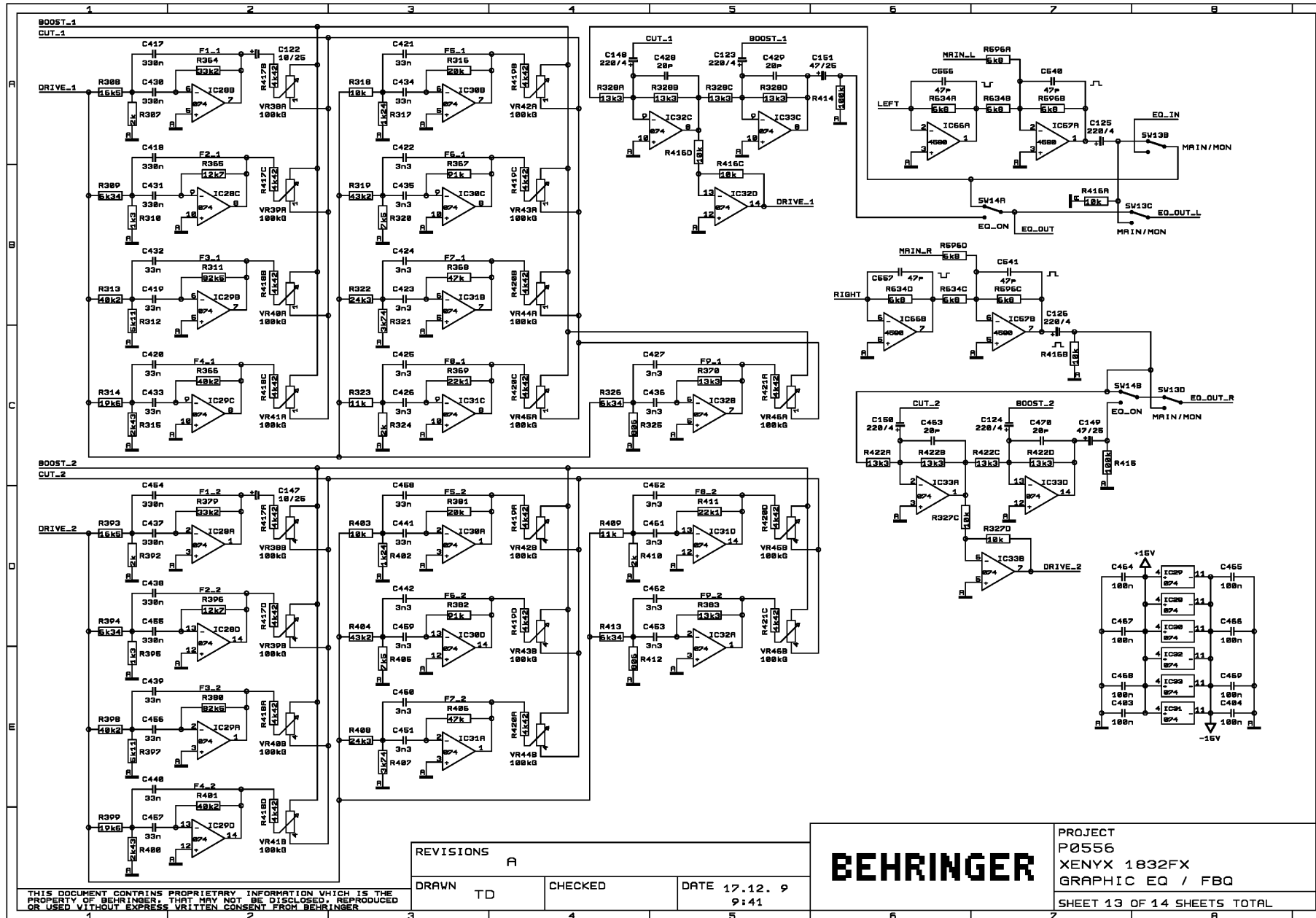
PROJECT
P0556
XENYX 1832FX
STEREO CHANNEL 7-10
SHEET 7 OF 14 SHEETS TOTAL

THIS DOCUMENT CONTAINS PROPRIETARY INFORMATION WHICH IS THE PROPERTY OF BEHRINGER THAT MAY NOT BE DISCLOSED, REPRODUCED OR USED WITHOUT EXPRESS WRITTEN CONSENT FROM BEHRINGER.







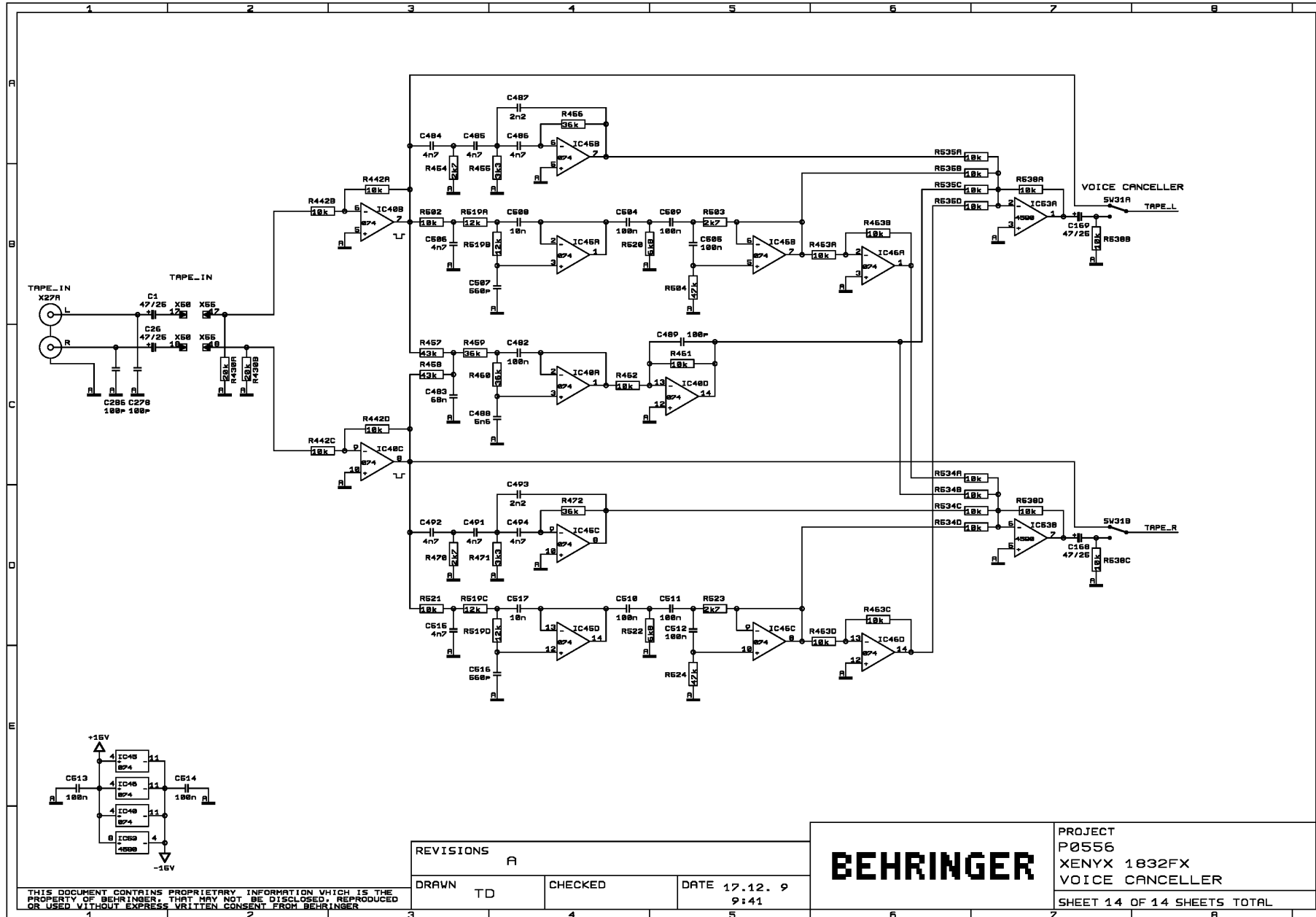


REVISIONS		
A		
DRAWN	CHECKED	DATE
TD		17.12. 9
		9:41

BEHRINGER

PROJECT
P0556
XENYX 1832FX
GRAPHIC EQ / FBQ
SHEET 13 OF 14 SHEETS TOTAL

THIS DOCUMENT CONTAINS PROPRIETARY INFORMATION WHICH IS THE PROPERTY OF BEHRINGER THAT MAY NOT BE DISCLOSED, REPRODUCED OR USED WITHOUT EXPRESS WRITTEN CONSENT FROM BEHRINGER.



REVISIONS		
A		
DRAWN	CHECKED	DATE
TD		17.12.9
		9:41

BEHRINGER

PROJECT
P0556
XENYX 1832FX
VOICE CANCELLER
SHEET 14 OF 14 SHEETS TOTAL

THIS DOCUMENT CONTAINS PROPRIETARY INFORMATION WHICH IS THE PROPERTY OF BEHRINGER THAT MAY NOT BE DISCLOSED, REPRODUCED OR USED WITHOUT EXPRESS WRITTEN CONSENT FROM BEHRINGER.

Service Assemblies

	Quantity	Unit	S.Sku	M.Sku	Description	Reference Designators	Notes
1			Q04-00000-08216	A09-16000-00000	SPARE PART;P0160;SUB ASSEMBLY;UB-SPSU1	[EXTRA SPARE]	
2			Q05-00001-02104	A09-56500-00004	SPARE PART;P0565;PCB ASSEMBLY;1;D;HI;DPM5V1000	[EXTRA SPARE]	

Hi Pcb Assemblies

	Quantity	Unit	S.Sku	M.Sku	Description	Reference Designators	Notes
1	1.0000	PC		A05-00000-09291	PCB ASSEMBLY;SMPSU22;REV:A;HAND INSERT;NO.926020		
2	1.0000	PC		A05-48600-17101	PCB ASSEMBLY;P0486;A;HI;PSU;SMPSU22;926020		
3	1.0000	PC	Q05-49601-06432	A05-49601-06432	PCB ASSEMBLY;UCA200;PCB:1;FRONT;REV:C;HI;NO:525100		
4	1.0000	PC	Q05-55601-06889	A05-55601-06889	PCB ASSEMBLY;P0556;PCB:1;REV:A;HI;NO:511120		
5	1.0000	PC	Q05-55602-06891	A05-55602-06891	PCB ASSEMBLY;P0556;PCB:2;REV:A;HI;NO:512120		
6	1.0000	PC	Q05-55603-06893	A05-55603-06893	PCB ASSEMBLY;P0556;PCB:3;REV:A;HI;NO:513120		

Cable

	Quantity	Unit	S.Sku	M.Sku	Description	Reference Designators	Notes
1	2.0000	PC		A70-80021-01125	CABLE;2*RCA-PLUG 24mm;NICKEL;PLUG COLORS:RED/WHITE;CABLE:BLACK;CABLES:2;PLUG:4;LENGTH:800m m;CABLE		
2	1.0000	PC		A71-15004-04950	CABLE;USB;UL2725;LENGTH:1500mm +/- 50mm;BLACK;OUTER DIA:4mm;CONNECTOR USB/A TO STRIP/TIN 30mm;4C+AL/MYLAR+BRAID SHIELD+GNE		
3	0.3120	M		A74-00000-00726	WIRE;RAW FLAT CABLE;UL2651;AWG:28;POLES:26;GRAY;PIN1:RED;PITCH:1mm27		
4	1.0000	PC		A74-00020-30726	CABLE;FLAT;P2mm54;LENGTH:300mm;AWG:28;FC1/FD;+10/- 0mm;POLES:26	[P0556:2: {1.0}(X50)]	
5	1.0000	PC	Q81-00000-01172	A81-00000-01172	WIRE HARNESS;AWG:26;UL2468;2 MM;12;COMMON;100 MM;ALL BLACK PIN1 RED	[P0556:3: {1.0}(X17)]	
6	1.0000	PC	Q81-00000-05113	A81-00000-05113	WIRE HARNESS;AWG:26;UL2468;2 MM;6;COMMON;60 MM;PIN1 MARKING	[P0556:3: {1.0}(X15)]	
7	1.0000	PC		A81-05030-86840	WIRE HARNESS;LENGTH:50mm;AWG:26;P:2mm;ZEE;HOUSING- BOARD IN CONNECTOR;POLES:8;PIN1 RED/OTHERS BLK	[P0556:2: {1.0}(X51)]	
8	0.0000	PC		A81-06030-66002	WIRE HARNESS;LENGTH:60mm;AWG:26;P:2mm0;HOUSING-BOARD IN CONNECTOR;POLES:6;PIN1 RED/OTHERS BLK		
9	1.0000	PC		A81-12030-66040	WIRE HARNESS;LENGTH:120mm;AWG:26;P:2mm;HOUSING-BOARD IN CONNECTOR;POLES:6;PIN1 RED/OTHERS BLK		
10	1.0000	PC		A81-12030-66840	WIRE HARNESS;LENGTH:120mm;ZEE;AWG:26;UL2468;P:2mm;HOUSING- BOARD IN CONNECTOR;POLES:6;PIN1 RED/OTHERS BLK	[P0486:00: {1.0}(X3)]	
11	1.0000	PC		A81-21030-26820	WIRE HARNESS;LENGTH:210mm;ZEE;AWG:26;P:2mm;HOUSING- STRIPPED/TINNED 5mm;POLES:2;PIN1 RED/OTHERS BLK		
12	1.0000	PC		A81-33031-06840	WIRE HARNESS;LENGTH:330mm;ZEE;AWG:26;P:2mm;HOUSING - BOARD IN CONNECTOR;POLES:10;PIN1 RED/OTHERS BLK	[P0556:3: {1.0}(X16)]	
13	1.0000	PC	Q76-15222-06417	A76-15222-06417	CABLE;AC- CORD;W/POLYBAG;LENGTH:152cm;AWG:18;VERSION;UL;SPEC.NO:0 6417		(UL)
14	1.0000	PC	Q76-15212-03119	A76-15212-03119	CABLE;AC-CORD;W/POLYBAG;LENGTH:152cm;H05VV-F 3G 0.75MM2;VERSION;EU;SPEC.NO:03119		(EU)
15	1.0000	PC	Q76-00000-05305	A76-00000-05305	CABLE;AC-CORD;3;BR;1500 MM;Plug + Connector:375+730;H05VV-F 3G0.75		(BR)
16	1.0000	PC	Q76-15042-05624	A76-15042-05624	CABLE;AC-CORD;W/POLYBAG;LENGTH:150cm;H05VV- F3G0.75MM2;VERSION;UK;SPEC.NO:05624		(UK)
17	1.0000	PC	Q76-18050-47490	A76-18050-47490	CABLE;AC-CORD;LENGTH:180cm;VERSION:SAA;PLUG:HE105 ISOLATED;SAA H05VV-F 3x0.75mm2;CONN.HP-3;SPEC.NO:47490		(SAA)
18	0.0000	PC	Q76-18050-47490	A76-18050-06505	CABLE;AC-CORD;LENGTH:180cm;VERSION:SAA;PLUG:HE105 ISOLATED;SAA H05VV-F 3x0.75mm2;CONN.HP-3;PANYU		(SAA)
19	1.0000	PC	Q76-15032-55649	A76-15032-55649	CABLE;AC-CORD;CLASS II;W/POLYBAG;JAPAN;LENGTH:150cm;POLES:3;APPROVAL:PSE;JS155 3 + VCTF 3x0.75mm2 + V1528		(JP)

Capacitor

	Quantity	Unit	S.Sku	M.Sku	Description	Reference Designators	Notes
1	4.0000	PC			CAP E;10uF;6V;PITCH:2mm5;5mm x 11mm;VERTICAL 12.7-15-9mm	[P0496:01: {4.0}(C1,C6-C7,C12)]	*NOT available in DP
2	9.0000	PC			CAP E;22uF;6V;PITCH:2mm5;5mm x 11mm;VERTICAL 12.7-15-9mm	[UCA200:1: {4.0}(C2,C5,C11,C18)]	*NOT available in DP
3	1.0000	PC			CAP E;47uF;6V;PITCH:2mm5;5mm x 11mm;VERTICAL 12.7-15-9mm	[UCA200:1: {1.0}(C17)]	*NOT available in DP
4	1.0000	PC			CAP E;100uF;6V;PITCH:2mm5;5mm x 11mm;VERTICAL 12.7-15-9mm	[P0496:01: {1.0}(C13)]	*NOT available in DP
5	1.0000	PC			CAP E;10uF;25V;PITCH:2mm5;5mm x 11mm;VERTICAL 12.7-15-9mm	[SMPSU22:00: {1.0}(C2)]	*NOT available in DP
6	1.0000	PC			CAP E;47uF;25V;PITCH:2mm5;5mm x 11mm;VERTICAL 12.7-15-9mm	[00000: {1.0}(C10)]	*NOT available in DP
7	2.0000	PC			CAP E;100uF;25V;PITCH:2mm5;6mm x 12mm;VERTICAL 12.7-15-9mm	[00000: {2.0}(C4-C5)]	*NOT available in DP
8	1.0000	PC			CAP E;1uF;50V;PITCH:2mm5;5mm x 11mm;VERTICAL 12.7-15-9mm	[00000: {1.0}(C13)]	*NOT available in DP
9	2.0000	PC			CAP E;47uF;63V;PITCH:2mm5;6mm x 11mm;VERTICAL 12.7-15-9mm	[00000: {2.0}(C18-C19)]	*NOT available in DP
10	27.0000	PC			CAP E;220uF;4V;PITCH:2mm5;5mm x 11mm;PRECUT:3mm2 -0/+0mm2	[P0556:1: {27.0}(C123-C126,C148,C150,C153,C158-C165,C184-C191,C194-C195,C240,C243)]	*NOT available in DP
11	25.0000	PC			CAP E;100uF;6V;PITCH:2mm5;5mm x 11mm;PRECUT:3mm2 -0/+0mm2	[P0556:1: {17.0}(C74,C166-C167,C173,C175,C177,C179,C181,C183,C197,C199,C201,C203,C205,C207,C228-C229)]	*NOT available in DP
12	6.0000	PC			CAP E;1mF;6V;PITCH:3mm5;8mm x 14mm;PRECUT:3mm2 -0/+0mm2	[P0556:2: {6.0}(C37-C42)]	*NOT available in DP
13	1.0000	PC			CAP E;220uF;10V;PITCH:2mm5;6mm x 11mm;PRECUT:3mm2 -0/+0mm2	[P0556:1: {1.0}(C58)]	*NOT available in DP
14	1.0000	PC			CAP E;470uF;10V;PITCH:3mm5;8mm x 12mm;PRECUT:3mm2 -0/+0mm2	[P0556:1: {1.0}(C55)]	*NOT available in DP
15	1.0000	PC			CAP E;4uF7;25V;PITCH:2mm5;4mm x 7mm;PRECUT:3mm2 -0/+0mm2	[1:01: {1.0}(C18)]	*NOT available in DP
16	2.0000	PC			CAP E;4uF7;25V;PITCH:2mm5;5mm x 11mm;PRECUT:3mm2 -0/+0mm2	[P0556:1: {2.0}(C241-C242)]	*NOT available in DP
17	3.0000	PC			CAP E;10uF;25V;PITCH:2mm5;4mm x 7mm;PRECUT:3mm2 -0/+0mm2	[1:01: {3.0}(C9-C10,C12)]	*NOT available in DP
18	16.0000	PC			CAP E;10uF;25V;PITCH:2mm5;5mm x 11mm;PRECUT:3mm2 -0/+0mm2	[P0556:1: {4.0}(C73,C75,C122,C147)]	*NOT available in DP
19	3.0000	PC			CAP E;47uF;25V;PITCH:2mm5;5mm x 7mm;PRECUT:3mm2 -0/+0mm2	[1:01: {3.0}(C4,C7,C17)]	*NOT available in DP
20	64.0000	PC			CAP E;47uF;25V;PITCH:2mm5;5mm x 11mm;PRECUT:3mm2 -0/+0mm2	[P0556:1: {48.0}(C56-C57,C149,C151-C152,C154-C157,C168-C172,C174,C176,C178,C180,C182,C192-C193,C208-C227,C235-C239,C244-C245)]	*NOT available in DP
21	1.0000	PC			CAP E;470uF;25V;PITCH:5mm;10mm x 12mm;HIGH:12mm+0/-0mm5;PRECUT:3mm2 -0/+0mm2	[P0556:1: {1.0}(C104)]	*NOT available in DP
22	11.0000	PC			CAP E;2uF2;50V;PITCH:2mm5;5mm x 11mm;PRECUT:3mm2 -0/+0mm2	[P0556:1: {11.0}(C196,C198,C200,C202,C204,C206,C230-C234)]	*NOT available in DP
23	1.0000	PC			CAP E;4uF7;50V;PITCH:2mm5;5mm x 11mm;PRECUT:3mm2 -0/+0mm2	[P0556:1: {1.0}(C105)]	*NOT available in DP
24	1.0000	PC			CAP E;330uF;100V;PITCH:5mm;PRECUT:3mm2 -0/+0mm2;13 x 25mm	[SMPSU22:00: {1.0}(C20)]	*NOT available in DP
25	1.0000	PC			CAP CER;1uF;16V;X7R;10%;SMT805	[1:01: {1.0}(C21)]	*NOT available in DP
26	1.0000	PC			CAP CER;100pF;25V;COG;10%;SMT805	[SMPSU22:00: {1.0}(C32)]	*NOT available in DP
27	7.0000	PC			CAP CER;10pF;50V;10%;SMT603	[P0496:1: {5.0}(C39-C40,C42,C46,C51)]	*NOT available in DP
28	70.0000	PC			CAP CER;20pF;50V;20%;SMT603	[1:01: {2.0}(C2-C3)]	*NOT available in DP
29	2.0000	PC			CAP CER;33pF;50V;5%;COG(NPO);SMT603	[P0496:1: {2.0}(C22-C23)]	*NOT available in DP
30	21.0000	PC			CAP CER;47pF;50V;5%;COG(NPO);SMT603	[P0556:1: {21.0}(C405,C407,C409,C411,C413,C415,C473-C474,C532,C538-C541,C556-C560,C563,C578-C579)]	*NOT available in DP
31	53.0000	PC			CAP CER;100pF;50V;20%;SMT603	[P0496:1: {8.0}(C19-C21,C26-C27,C31-C32,C34)]	*NOT available in DP
32	12.0000	PC			CAP CER;330pF;50V;20%;SMT603	[P0556:2: {12.0}(C279-C284,C291-C296)]	*NOT available in DP
33	2.0000	PC			CAP CER;560pF;50V;10%;SMT603	[P0556:1: {2.0}(C507,C516)]	*NOT available in DP

	Quantity	Unit	S.Sku	M.Sku	Description	Reference Designators	Notes
34	18.0000	PC			CAP CER;680pF;50V;10%;SMT603	[P0556:2: {18.0}{C250-C267}]	*NOT available in DP
35	2.0000	PC			CAP CER;1nF;50V;10%;SMT603	[P0556:2: {2.0}{C273,C302}]	*NOT available in DP
36	3.0000	PC			CAP CER;2nF2;50V;10%;SMT603	[1:01: {1.0}{C11}]	*NOT available in DP
37	12.0000	PC			CAP CER;3nF3;50V;10%;SMT603	[P0556:1: {12.0}{C423-C427,C436,C451-C453,C460-C462}]	*NOT available in DP
38	8.0000	PC			CAP CER;4nF7;50V;10%;SMT603	[P0556:1: {8.0}{C484-C486,C491-C492,C494,C506,C515}]	*NOT available in DP
39	1.0000	PC			CAP CER;5nF6;50V;10%;SMT603	[P0556:1: {1.0}{C488}]	*NOT available in DP
40	2.0000	PC			CAP CER;6nF8;50V;10%;SMT603	[P0556:2: {2.0}{C274,C303}]	*NOT available in DP
41	3.0000	PC			CAP CER;10nF;50V;10%;SMT603	[P0496:1: {1.0}{C35}]	*NOT available in DP
42	12.0000	PC			CAP CER;100nF;50V;10%;SMT603	[1:01: {12.0}{C1,C5-C6,C8,C13-C16,C20,C22-C24}]	*NOT available in DP
43	4.0000	PC			CAP CER;3nF3;50V;10%;SMT805	[P0556:1: {4.0}{C422,C435,C442,C459}]	*NOT available in DP
44	1.0000	PC			CAP CER;10nF;50V;10%;SMT805	[P0556:1: {1.0}{C378}]	*NOT available in DP
45	2.0000	PC			CAP CER;15nF;50V;10%;SMT805	[P0556:2: {2.0}{C272,C301}]	*NOT available in DP
46	12.0000	PC			CAP CER;33nF;50V;10%;SMT805	[P0556:1: {12.0}{C419-C421,C432-C434,C439-C441,C456-C458}]	*NOT available in DP
47	1.0000	PC			CAP CER;68nF;50V;10%;SMT805;X7R	[P0556:1: {1.0}{C483}]	*NOT available in DP
48	134.0000	PC			CAP CER;100nF;50V;X7R;10%;SMT805	[P0496:1: {12.0}{C24-C25,C28-C30,C33,C36-C37,C44-C45,C50,C52}]	*NOT available in DP
49	8.0000	PC			CAP CER;330nF;50V;10%;SMT805	[P0556:1: {8.0}{C417-C418,C430-C431,C437-C438,C454-C455}]	*NOT available in DP
50	1.0000	PC			CAP CER;470nF;50V;10%;SMT805	[1:01: {1.0}{C19}]	*NOT available in DP
51	12.0000	PC			CAP MYL;39nF;50V;10%;PITCH:5mm;DIPPED;PRECUT:3mm1 +/-0mm5	[P0556:1: {12.0}{C127-C138}]	*NOT available in DP
52	8.0000	PC			CAP MYL;1nF;50V;10%;PITCH:3mm5;DIPPED;PRECUT 3mm1 +/-0mm5	[P0556:1: {8.0}{C65-C72}]	*NOT available in DP
53	6.0000	PC			CAP MYL;2nF2;50V;10%;PITCH:4mm;DIPPED;PRECUT 3mm1 +/-0mm5	[P0556:1: {6.0}{C59-C64}]	*NOT available in DP
54	16.0000	PC			CAP MYL;3nF3;50V;10%;PITCH:3mm5;DIPPED;PRECUT 3mm1 +/-0mm5	[P0556:1: {16.0}{C88-C103}]	*NOT available in DP
55	6.0000	PC			CAP MYL;33nF;50V;10%;PITCH:5mm;DIPPED;PRECUT:3mm1 +/-0mm5	[P0556:1: {6.0}{C76,C78,C80,C82,C84,C86}]	*NOT available in DP
56	14.0000	PC			CAP MYL;47nF;50V;10%;PITCH:5mm5;DIPPED;PRECUT:3mm1 +/-0mm5	[P0556:1: {14.0}{C77,C79,C81,C83,C85,C87,C139-C146}]	*NOT available in DP
57	16.0000	PC			CAP MYL;12nF;100V;10%;PITCH:4mm;DIPPED;PRECUT:3mm1 +/-0mm5	[P0556:1: {16.0}{C106-C121}]	*NOT available in DP
58	3.0000	PC			CAP Y2;4nF7;275V;PITCH:7mm5;Y2	[SMPSU22:00: {3.0}{C3,C21-C22}]	*NOT available in DP
59	1.0000	PC			CAP E;150uF;400V;PITCH:10mm;25mmx30mm;SNAP-IN;PRECUT:3mm2 -0/+0mm2	[SMPSU22:00: {1.0}{C7}]	*NOT available in DP
60	2.0000	PC	R12-32100-04351	B12-32100-04351	CAP X2;100nF;275V;PITCH:15mm;CASE:8mm5 x 18mm;PRECUT:3.1mm +/-0mm5	[SMPSU22:00: {2.0}{C8,C14}]	
61	1.0000	PC			CAP E;470uF;16V;PITCH:3mm5;8mm x 14mm;PRECUT:3mm2 -0/+0mm2;LOW ESR	[SMPSU22:00: {1.0}{C9}]	*NOT available in DP
62	2.0000	PC			CAP E;1mF;25V;PITCH:5mm;10mm x 20mm;PRECUT:3mm2 -0/+0mm2;LOW ESR	[SMPSU22:00: {2.0}{C12,C16}]	*NOT available in DP
63	1.0000	PC			CAP CER;100pF;1KV;20%;PITCH:5mm;DISC;VERTICAL 12.7-15-9mm	[00000: {1.0}{C17}]	*NOT available in DP
64	2.0000	PC			CAP CER;1nF;1KV;20%;PITCH:5mm;DISC;VERTICAL 12.7-15-9mm	[00000: {2.0}{C11,C15}]	*NOT available in DP
65	1.0000	PC			CAP CER;10nF;1KV;20%;PITCH:10mm;DISC;PRECUT:3mm1 +/-0mm5	[SMPSU22:00: {1.0}{C1}]	*NOT available in DP
66	1.0000	PC			CAP E;470uF;25V;PITCH:3mm5;8mm x 14mm;PRECUT:3mm2 -0/+0mm2;105C	[SMPSU22:00: {1.0}{C6}]	*NOT available in DP
67	12.0000	PC			CAP E;47uF;50V;PITCH:2mm5;6mm x 11mm;PRECUT:3mm2 -0/+0mm2;LOW LEAKAGE	[P0556:2: {12.0}{C2-C8,C11,C14,C17,C20,C23}]	*NOT available in DP

Circuit Protector

	Quantity	Unit	S.Sku	M.Sku	Description	Reference Designators	Notes
1	1.0000	PC	R22-01513-16001	B22-01513-16001	FUSE;1A6;250V;SLOW BLOW;H-TYPE;5mm x 20mm		

Coil

	Quantity	Unit	S.Sku	M.Sku	Description	Reference Designators	Notes
1	1.0000	PC		B34-00000-43407	COIL;LINE FILTER;25 mH;20 MM;UT20 L:25mH MIN@1KHZ,0.25V	[SMPSU22:00: {1.0}(L1)]	
2	1.0000	PC	R37-21200-00019	B37-21200-00019	COIL;CHOKE SMD;SMD 3.2x1.6x1.15;COMMON-MODE;(MURATA DLP315N121MLZL)	[P0496:1: {1.0}(L1)]	
3	2.0000	PC	R39-00000-03394	B39-00000-03394	COIL;SMD;BEAD;SMD0805;(BLM21BD7515N1D)	[1:01: {2.0}(B1-B2)]	
4	10.0000	PC	R39-21202-00018	B39-21202-00018	COIL;SMD BEAD;SMD1608;(MURATA BLM18BB121)	[P0496:1: {10.0}(L3-L9,L11,L13-L14)]	
5	1.0000	PC		B42-23300-00066	COIL;SMD POWER INDUCTOR;330uH;(ANLA SSD-0704)	[P0496:1: {1.0}(L2)]	

Connector

	Quantity	Unit	S.Sku	M.Sku	Description	Reference Designators	Notes
1	44.0000	PC	R84-25016-06014	B84-25016-06014	CRIMP TERMINAL;PITCH:2mm0;AWG24-30;A2008TOP-2		
2	1.0000	PC	R84-42050-00155	B84-42050-00155	CRIMP CONNECTOR;LUG;INNER DIA:4mm3;AWG 14-18;WIRE MOUNT;STRAIGHT		
3	2.0000	PC	R95-01320-03303	B95-01320-03303	CONNECTOR;XLR;SOCKET;MALE;STRAIGHT;POLES:3	[P0556:3: {2.0}(X13-X14)]	
4	6.0000	PC	R95-01340-03300	B95-01340-03300	CONNECTOR;XLR;SOCKET;FEMALE;STRAIGHT;POLES:3	[P0556:2: {6.0}(X21-X26)]	

Diode

	Quantity	Unit	S.Sku	M.Sku	Description	Reference Designators	Notes
1	1.0000	PC			DIODE;HER104;DO41;RADIAL	[SMPSU22:00: {1.0}(D7)]	*NOT available in DP
2	1.0000	PC			DIODE;HER107;DO41;RADIAL	[SMPSU22:00: {1.0}(D3)]	*NOT available in DP
3	1.0000	PC			DIODE;HER207;DO15;RADIAL	[SMPSU22:00: {1.0}(D9)]	*NOT available in DP
4	4.0000	PC			DIODE;HER303;DO27;RADIAL	[SMPSU22:00: {4.0}(D4-D6,D8)]	*NOT available in DP
5	12.0000	PC			DIODE;BAV103;SOD80;TEMIC	[P0556:2: {12.0}(D1-D12)]	*NOT available in DP
6	14.0000	PC			DIODE;LL4148;LL34;TEMIC OR FC;SMD	[1:01: {4.0}(D1-D4)]	*NOT available in DP
7	1.0000	PC			DIODE;P6KE;200A;DO15	[00000: {1.0}(D2)]	*NOT available in DP
8	1.0000	PC			DIODE;ZPD47V0;DO35;TEMIC OR FC	[SMPSU22:00: {1.0}(D10)]	*NOT available in DP
9	1.0000	PC	X80-24270-20600	H80-24270-20600	RECTIFIER;BRIDGE;KBP206G	[SMPSU22:00: {1.0}(D1)]	

Display

	Quantity	Unit	S.Sku	M.Sku	Description	Reference Designators	Notes
1	1.0000	PC	S28-00000-32332	C28-00000-32332	DISPLAY;LED;Pattern:8.8;.04 IN;AMBER;COMMON ANODE;SIZE:20.1X16	[P0556:1: {1.0}(LD4)]	

Hardware

	Quantity	Unit	S.Sku	M.Sku	Description	Reference Designators	Notes
1	1.1000	G			THERM-GREASE;COLOR:WHT;SPEC.NO:09286		*NOT available in DP
2	2.3760	G			SCREWLOCK;SPEC.NO:01090		*NOT available in DP
3	1.0000	PC			HEX. NUT;INNER DIA;M4mm;SURFACE:ZINC		*NOT available in DP
4	34.0000	PC			HEX. NUT;FOR JACK;M 3/8in;HEXWRENCH:11mm;THICKNESS:2mm;SURFACE:NICKEL/SLV		*NOT available in DP
5	1.0000	PC			HEX. NUT;FOR JACK;M 3/8in;HEXWRENCH:11mm;THICKNESS:2mm4;SURFACE:NICKEL/SILV ER		*NOT available in DP
6	16.0000	PC			SCREW;M3mm*5mm;HEAD:PAN;INSERT:PHILIPS REC.;SURFACE:BLACK/ZINC		*NOT available in DP
7	3.0000	PC			SCREW;M3mm*6mm;HEAD:PAN;INSERT:PHILIPS REC.;SURFACE:SILVER/ZINC		*NOT available in DP
8	24.0000	PC			SCREW;M3mm*6mm;HEAD:PAN;INSERT:PHILLIPS REC.;SURFACE:BLACK/ZINC		*NOT available in DP
9	27.0000	PC			SCREW;M3mm*6mm;HEAD:TRUSS DIA 5mm2;INSERT:PHILIPS REC.;SURFACE:BLACK/ZINC		*NOT available in DP
10	19.0000	PC			SCREW;BT3mm*8mm;HEAD:PAN;INSERT:PHILLIPS REC.;SURFACE:BLACK/ZINC		*NOT available in DP
11	3.0000	PC			SCREW;M03mm*08mm;HEAD:PAN SPRING WASHER;INSERT:PHILIPS REC.;SURFACE:SILVER/ZINC		*NOT available in DP
12	6.0000	PC			SCREW;M4mm*6mm;HEAD:PAN;INSERT:PHILIPS REC.;SURFACE:BLACK/ZINC		*NOT available in DP
13	1.0000	PC			SCREW;M4mm*16mm;HEAD:BINDING;INSERT:PHILIPS REC.;SURFACE:SILVER/ZINC		*NOT available in DP
14	2.0000	PC		F89-07018-00111	INSULATION SHEET;SI-RUBBER;TO220 W/HOLE;11mm*18mm		
15	1.0000	PC	V89-07022-00121	F89-07022-00121	INSULATION SHEET;SI-RUBBER;TO220;COVER		
16	1.0000	PC			METAL;SHIELD;UB-MIXER TRANSFORMER;DST.NO:002;DPT.NO:06841;(UB-MIXER-TRAFO_SHIELDING-REVB.DWG)		*NOT available in DP
17	1.0000	PC			SILICA GEL;MASS;20g;SPEC.NO:20QB-BB2001-4		*NOT available in DP
18	1.0000	PC			STUD;THREAD-DIA;3mm;LENGTH:10mm5;EXT/INT;EXT;5mm		*NOT available in DP
19	1.0000	PC			STUD;THREAD-DIA;3mm;LENGTH:10mm5;INT/INT		*NOT available in DP
20	22.0000	PC			STUD;THREAD-DIA;3mm;LENGTH:13mm8;INT/INT		*NOT available in DP
21	3.0000	PC			STUD;THREAD-DIA;3mm;LENGTH:24mm3;INT/INT		*NOT available in DP
22	0.0850	M			SHRINKING TUBE;INNER DIA;4mm;SPEC.NO:01098		*NOT available in DP
23	0.0600	M			SHRINKING TUBE;INNER DIA;6mm;SPEC.NO:01099		*NOT available in DP
24	35.0000	PC			WASHER;PLAIN;INNER DIA:9mm6;OUTER DIA:13mm;THICKNESS;0mm5;PLATING:NICKEL		*NOT available in DP
25	2.0000	PC			WASHER;EXTERNAL TEETH;INNER DIA:4mm;OUTER DIA:7mm;THICKNESS;1mm7		*NOT available in DP
26	1.0000	PC		F97-00600-11827	FILM;PROTECTIVE;DST.NO:006;DPT.NO:11827;(UB-SPSU-FOIL-REVF.DWG)		
27	2.0000	PC			BUSHING;MINIATURE;NYLON;DWG.NO:27886;(R20-SC-PLA_NYLBUSHM3x1_4.DWG)		*NOT available in DP

Ic

	Quantity	Unit	S.Sku	M.Sku	Description	Reference Designators	Notes
1	1.0000	PC	S60-54422-00528	C60-22422-00528	IC;AD/DA;V4220M;SSOP	[1:01: {1.0}(IC1)]	
2	55.0000	PC	S73-59458-00508	C73-00000-29050	IC;OPAMP;SMD;SOP;8;BA4580RF	[1:01: {1.0}(IC4)]	
3	10.0000	PC	S73-58007-40514	C73-31007-40514	IC;OPAMP OPAMP;TL074;SOP;	[P0556:1: {10.0}(IC28-IC33,IC38,IC40,IC45-IC46)]	
4	2.0000	PC		C73-59210-00508	IC;OPAMP OPAMP;NJM2100;SOP		
5	2.0000	PC		C73-59274-00508	IC;OPAMP OPAMP;NJM2740M;SOP	[P0496:1: {2.0}(IC4-IC5)]	
6	2.0000	PC	S73-59458-00408	C73-59458-00408	IC;OPAMP OPAMP;NJM4580L;SIP	[P0556:2: {2.0}(IC1-IC2)]	
7	1.0000	PC	S73-59458-00508	C73-59458-00508	IC;OPAMP OPAMP;NJM4580;SOP		
8	1.0000	PC	S74-41024-50707	C74-41024-50707	IC;POWER-CONVERSION;TOP245Y;TO-220-7C	[SMPSU22:00: {1.0}(IC2)]	
9	1.0000	PC	S74-61043-10803	C74-61043-10803	IC;POWER-CONVERSION;VOLT.REFERENCE;TO-92;TL431ACZ	[SMPSU22:00: {1.0}(IC3)]	
10	1.0000	PC		C77-00000-24929	IC;VOLT.REGULATOR;SOT89;3;AIC1734-35GXA;3V5	[P0496:1: {1.0}(IC2)]	
11	1.0000	PC	S77-05107-03110	C77-05107-03110	IC;VOLT.REGULATOR;7805F;FULLPACK;TO220		
12	6.0000	PC	S78-55133-90514	C78-55133-90514	IC;COMPARATOR;(SGS ONLY);LM339;SOP;SMD	[P0556:1: {6.0}(IC39,IC43-IC44,IC47,IC52,IC54)]	
13	1.0000	PC	T12-00100-02216	D12-00100-02217	IC;DIG COMM.;EUROTEC;V1000;SOIC	[1:01: {1.0}(IC2)]	
14	1.0000	PC		D22-27020-40506	IC;INVERTER;74LVC2GU04;SOP	[P0496:1: {1.0}(IC3)]	
15	1.0000	PC	T24-00000-21792	D24-00000-21792	IC;MICROCONTROLLER;LQFP;32;STM8S105K4T6CTR	[1:01: {1.0}(IC3)]	
16	1.0000	PC	T28-71290-20528	D28-00001-21435	IC;DIGITAL AUDIO CODEC;SMD;SSOP;PINS:28;V2902	[P0496:1: {1.0}(IC1)]	

Led

	Quantity	Unit	S.Sku	M.Sku	Description	Reference Designators	Notes
1	1.0000	PC	U10-00000-28401	E10-00000-28401	LED HIB;3mm ROUND;AMBER;NORMAL BRIGHT;W/RING;LED;iv:Typ.60mcd	[P0556:1: {1.0}(LD8)]	
2	4.0000	PC	U10-33565-00578	E10-33565-00578	LED HIB;2mm x 5mm;GREEN	[P0556:1: {4.0}(LD3,LD5-LD7)]	
3	1.0000	PC	U10-39585-00580	E10-39585-00580	LED HIB;2mm x 5mm;YELLOW	[P0556:1: {1.0}(LD2)]	
4	16.0000	PC	U10-53565-00588	E10-53565-00588	LED HIB;3mm ROUND;GREEN	[UCA200:1: {1.0}(LD1)]	
5	20.0000	PC	U10-59585-00592	E10-59585-00592	LED HIB;3mm ROUND;YELLOW	[P0556:1: {20.0}(LD12-LD19,LD36-LD47)]	
6	1.0000	PC	U12-37630-00579	E12-37630-00579	LED;2mm x 5mm;RD	[P0556:1: {1.0}(LD1)]	
7	15.0000	PC	U12-57630-00590	E12-57630-00590	LED;3mm ROUND;RD	[P0556:1: {15.0}(LD9-LD11,LD48-LD59)]	
8	1.0000	PC		E12-67630-00595	LED;5mm ROUND;RD	[P0556:1: {1.0}(LD27)]	

Metal Part

	Quantity	Unit	S.Sku	M.Sku	Description	Reference Designators	Notes
1	1.0000	PC		A62-00600-08694	METAL;TRAY;P0558;DST.NO:006;DPT.NO:08694;(UB2222FX-BOTTOM_CAB-REV.F.DWG)		
2	1.0000	PC		A62-02000-23975	METAL;POWER BRACKET;UB2222FX-PRO;DWG.NO:23975;(R20-UB2222FX-POWER_BRACKET-REVE.DWG)		
3	1.0000	PC		A62-02000-27452	METAL;POWER BRACKET COVER;UBSPSU;DWG.NO:27452;(R20-UB-POWER_BRACKET_COVER-REVB.DWG)		
4	2.0000	PC	Q65-00100-07273	A65-00100-07273	MET-RACKMOUN/XENYX2222FX		
5	1.0000	PC	Q65-23000-24593	A65-23000-24593	METAL CLIP;DSP2000;DWG.NO:24593;(R14-DSP2000-CLIP-REV.C.DWG)		
6	1.0000	PC		J02-00200-08699	METAL;TOP CABINET;P0556;PANTONE 446;PRINTED;FST.NO:002;DPT.NO:08699;(UB1832FX-TOPCAB-REVB.DWG)		

Plastic Part

	Quantity	Unit	S.Sku	M.Sku	Description	Reference Designators	Notes
1	4.0000	PC	W51-01200-01762	G51-01200-01762	RUBBER FOOT;STANDARD;SELF-ADHESIVE;COLOR:BLK;DWG.NO:01762		
2	12.0000	PC		G52-00200-04420	KNOB;SWITCH;UB-L:7mm4;430C;DST.NO:002;DPT.NO:04420;(R20-UB-L_SWKNOB-REVB.DWG)		
3	9.0000	PC	W52-00200-08623	G52-00200-08623	KNOB;FADER;FAD30MMKNOB 1;BLACK;DST.NO:002;DPT.NO:08623;(FADERKNOBBLK1-REVB.DWG)		
4	1.0000	PC	W52-00200-10210	G52-00200-10210	ENCODER KNOB;BLACK;DST.NO:002;DPT.NO:10210;(PMX-ENCODERKNOB-REVB.DWG)		
5	10.0000	PC	W52-00200-11002	G52-00200-11002	KNOB;POT;(10);430C;CAP:BLACK;DST.NO:002;DPT.NO:11002;(PMX-POTKNOB(10)[IN]-REVB.DWG)		
6	2.0000	PC	W52-00200-00258	G52-00200-11003	KNOB;POT;(10);430C;CAP:WHITE;DST.NO:002;DPT.NO:11003;(PMX-POTKNOB(10)[IN]-REVB.DWG)		
7	10.0000	PC	W52-10509-30924	G52-00200-11096	KNOB;FADER;SMALL;BLACK;WHITE LINE;DWG.NO:30924;(FADER-KNOB-SMALL-01-REVB.DWG)		
8	2.0000	PC	W52-00100-00251	G52-00200-11108	KNOB;FADER;SMALL;430C;WHITE LINE;DST.NO:001;DPT.NO:11108;;(FADER-KNOB-SMALL-01-REVB.DWG)		
9	2.0000	PC	W52-00200-12087	G52-00200-12087	KNOB;FADER;SMALL;432C;WHITE LINE;DST.NO:2;DPT.NO:12087;(FADER-KNOB-SMALL-01-REVB.DWG)		
10	6.0000	PC	W52-00200-12256	G52-00200-12256	KNOB;POTENTIOMETER;(10);430C;CAP:288C;DST.NO:002;DPT.NO:12256;(PMX-POTKNOB(10)IN-REVB.DWG)		
11	22.0000	PC	W52-00200-12257	G52-00200-12257	KNOB;POTENTIOMETER;(10);430C;CAP:194C;DST.NO:002;DPT.NO:12257;(PMX-POTKNOB(10)IN-REVB.DWG)		
12	34.0000	PC	W52-00200-12258	G52-00200-12258	KNOB;POTENTIOMETER;(10);430C;CAP:289C;DST.NO:002;DPT.NO:12258;(PMX-POTKNOB(10)IN-REVB.DWG)		
13	11.0000	PC	W52-00200-12259	G52-00200-12259	KNOB;POTENTIOMETER;(10);430C;CAP:151U;DST.NO:002;DPT.NO:12259;(PMX-POTKNOB(10)IN-REVB.DWG)		
14	1.0000	PC	W52-00200-12270	G52-00200-12270	KNOB;FADER;SMALL;194C;WHITE LINE;DST.NO:2;DPT.NO:12270;(FADER-KNOB-SMALL-01-REVB.DWG)		
15	1.0000	PC	W52-00200-12287	G52-00200-12287	KNOB;FADER;SMALL;01;151U;WHITE LINE;DST.NO:2;DPT.NO:12287;(FADER-KNOB-SMALL-01-REVB.DWG)		
16	6.0000	PC	W52-00300-02453	G52-00300-02453	KNOB;PMX-SERIES;GAIN POTENTIOMETER;DST.NO:003;DPT.NO:02453;(PMX-GAINKNOB-REVC.DWG)		
17	44.0000	PC	W52-00500-09353	G52-00500-09353	KNOB;SWITCH;UB-S;DST.NO:005;DPT.NO:09353;(UB-S_SWKNOB-REVE.DWG)		
18	26.0000	PC	W52-00500-11000	G52-00500-11000	KNOB;SWITCH;UB-S;430C;DST.NO:005;DPT.NO:11000;(UB-S_SWKNOB-REVE.DWG)		
19	51.0000	PC	W53-00200-11127	G53-00200-11127	PLASTIC;SPACER;MOULDING;BLACK;LENGTH:11MM;DST.NO:002;DPT.NO:11127;(R20-ACCESSORY-LEDSPACER-REVB.DWG)		
20	10.0000	PC	W53-14000-01976	G53-14000-01976	PLASTIC;SPACER;ABS;BLACK;LENGTH:14MM2;(SWITCHSPACER14_2MM.DWG)		
21	1.0000	PC		G53-40400-01677	GIFTBOX HANDLE TYP I		
22	1.0000	PC		G53-40400-01678	GIFTBOX HANDLE;BASE;COLOR:BLK		
23	1.0000	PC	W54-07100-01716	G54-07100-01716	PLASTIC;LED BAR;MX1804X;ABS;DWG.NO:01716;(R14-LBAR1804-REVC.DWG)		
24	1.0000	PC	W58-00000-16248	G58-00000-16248	PLASTIC;P0389;SPACER;INJECTION MOULDING;BLACK;LED;10mm;REV:B		
25	1.0000	PC		G58-00100-08381	PLASTIC;SHEET;P0554;PET;BLACK;DST.NO:001;DPT.NO:8381;(XENYX 124FX-PET-SHEET-REVA.DWG)		
26	1.0000	PC	W58-00200-11129	G58-00200-11129	PLASTIC;LED SPACER;MOULDING;BLACK;NO:8LENGTH:9MM;DST.NO:002;DPT.NO:11129;(LED-SPACER9MM.REVB.DWG)		
27	1.0000	PC	Y64-00000-32653	I64-00000-32653	PLASTIC;P0559;PMMA;TRANSPARENT;LED WINDOW;XENYX FX;DPM5;A003		

	Quantity	Unit	S.Sku	M.Sku	Description	Reference Designators	Notes
28	1.0000	PC		I68-00000-73590	PLASTIC;BOTTOM;P0496;ABS;INJECTION MOULDING;YS1282A;SPRAYING;446C;BOTTOM COVER;C001		
29	1.0000	PC		I68-00000-73611	PLASTIC;LOGO;P0585;POLYESTER TLS50 0.7;MOULDING;YS1285B;SILVER;CABINET;B005		
30	1.0000	PC		I68-00100-07088	PLASTIC;COVER;P0496;SURFACE COLOR;SILVER;PRINTED;FST.NO:001;DPT.NO:07088;(P0496-TOP_COVER-REV.B.DWG)		

Plug Socket

	Quantity	Unit	S.Sku	M.Sku	Description	Reference Designators	Notes
1	1.0000	PC		G61-65226-03294	BOX HEADER;POLES:26;2 ROW;STRAIGHT;PITCH:2mm54;SCM-26S	[P0556:1: {1.0}(X55)]	
2	1.0000	PC	W61-75226-05290	G61-75226-05290	CABLE HEADER;POLES:26;2 ROW;IDE;STRAIGHT;PITCH:2mm54;FC-26P		
3	1.0000	PC	W61-85226-08163	G61-85226-08163	TRANSITION PLUG;FLAT CABLE;POLES:26;ROWS:2;STRAIGHT;PITCH:2mm54;BLACK;FD-26P		
4	34.0000	PC	W64-01211-03174	G64-01211-03174	PLUG;JACK STEREO 6mm3;STRAIGHT SOLDER;W/O MET.RNG.;MET.BUSH.;NO NUT/WASHER;(JY-6351G-02-250)	[P0556:2: {22.0}(X18-X20,X28-X46)]	
5	1.0000	PC	W64-16212-00005	G64-16212-00005	PLUG;PCB;PLUG;JACK STEREO 6mm3;STRAIGHTPCB LUGS;NO NUT/WASHER;METAL BUSHING;(CHUNSHENG PJ-632HA)	[P0556:2: {1.0}(X47)]	
6	0.0000	PC	W67-20103-01824	G67-20103-01824	PLUG;AC SOCK;W FUSE;SNAP-IN;COLOR:BLK;POLES:03;(RONG-FENG RF-2004)		
7	1.0000	PC		G67-40103-01810	SOCKET;AC;SCREW MOUNT;FUSED;UL94V-0;10A/250VAC;FOR AMP CONN;COLOR:BLK;POLES:03;(JACKSON JR-101-1FS)		
8	1.0000	PC	W68-04004-03284	G68-04004-03284	PLUG;RCA;SOCKET;RCAJACK4P/S;FEMALE;POLES:04;STRAIGHT	[P0556:2: {1.0}(X27)]	
9	2.0000	PC		G68-18202-00004	PLUG;RCA;SOCKET;POLES:02;PLATING;ANGLED;GOLD;TIP RINGS;LEFT:RED;RIGHT:WHITE;(JYE-TAI RJ-1095)	[UCA200:1: {2.0}(X1-X2)]	
10	1.0000	PC		G71-00000-03961	WAFER;V1000-14B;0.35um;LOGIC-3.3V(1P4M)		
11	1.0000	PC		G71-15224-24042	PIN HEADER;POLES:24;STRAIGHT;PITCH:2.54 mm;2 ROWS;1002-24-S	[1:01: {1.0}(X3)]	
12	2.0000	PC	W71-23102-04756	G71-23102-04756	WAFER;POLES:2;STRAIGHT;PITCH:2 mm;1 ROW;TYPE:A2006WV-2P	[SMPSU22:00: {2.0}(X2,X4)]	
13	1.0000	PC	W71-23104-04758	G71-23104-04758	WAFER;POLES:4;STRAIGHT;PITCH:2 mm;1 ROW;TYPE:A2006WV-4P	[1:01: {1.0}(X1)]	
14	2.0000	PC	W71-23106-04965	G71-23106-04965	WAFER;POLES:6;STRAIGHT;PITCH:2 mm;1 ROW;TYPE:A2006WV-6P	[P0556:1: {1.0}(X54)]	
15	1.0000	PC	W71-23108-04747	G71-23108-04747	WAFER;POLES:8;STRAIGHT;PITCH:2 mm;1 ROW;TYPE:A2006WV-8P	[P0556:1: {1.0}(X53)]	
16	1.0000	PC	W71-23110-04749	G71-23110-04749	WAFER;POLES:10;STRAIGHT;PITCH:2 mm;1 ROW;TYPE:A2006WV-10P	[P0556:1: {1.0}(X57)]	
17	1.0000	PC	W71-23112-04751	G71-23112-04751	WAFER;POLES:12;STRAIGHT;PITCH:2 mm;1 ROW;TYPE:A2006WV-12P	[P0556:1: {1.0}(X52)]	
18	1.0000	PC	W71-35224-03073	G71-35224-03073	PLUG;PCB;PLUG;PCB SOCKET;POLES:24;2 ROWS;STRAIGHT;PITCH:2mm54;2801-24GS	[P0556:1: {1.0}(X48)]	
19	1.0000	PC	W71-43102-05994	G71-43102-05994	PLUG;HOUSING;POLES:2;ROWS:1;STRAIGHT;PITCH:2mm;TYP:A2008		
20	2.0000	PC	W71-43106-05998	G71-43106-05998	PLUG;HOUSING;POLES:6;ROWS:1;STRAIGHT;PITCH:2mm;TYP:A2008		
21	1.0000	PC	W71-43108-06000	G71-43108-06000	PLUG;HOUSING;POLES:8;ROWS:1;STRAIGHT;PITCH:2mm;TYP:A2008		
22	1.0000	PC	W71-43110-06002	G71-43110-06002	PLUG;HOUSING;POLES:10;ROWS:1;STRAIGHT;PITCH:2mm;TYP:A2008		
23	1.0000	PC	W71-43112-06004	G71-43112-06004	PLUG;HOUSING;POLES:12;ROWS:1;STRAIGHT;PITCH:2mm;TYP:A2008		
24	42.0000	PC	W71-80000-05663	G71-80000-05663	BD.-IN-CONN;TERMINAL;SAN-002T-0.8A		
25	2.0000	PC	W71-83106-05650	G71-83106-05650	BOARD-IN-CONNECTOR;POLES:6;ROWS:1;STRAIGHT;PITCH:2 mm		
26	1.0000	PC	W71-83108-05652	G71-83108-05652	BOARD-IN-CONNECTOR;POLES:8;ROWS:1;STRAIGHT;PITCH:2 mm		
27	1.0000	PC	W71-83110-05654	G71-83110-05654	BOARD-IN-CONNECTOR;POLES:10;ROWS:1;STRAIGHT;PITCH:2 mm		
28	1.0000	PC	W71-83112-05657	G71-83112-05657	BOARD-IN-CONNECTOR;POLES:12;ROWS:1;STRAIGHT;PITCH:2 mm		

Power Supply

	Quantity	Unit	S.Sku	M.Sku	Description	Reference Designators	Notes
1	1.0000	PC	Z63-09390-24046	J63-09390-24046	TRANSFORMER;SPSU;40 WATT;UB-SERIES;DWG:24046		
2	1.0000	PC		J69-00000-52510	TRAF0;SWITCH MODE;P0AL3;UNIVERSAL 100 TO 240;COMMON;590uH;DA XIN PN:KB1332-15304		
3	1.0000	PC		J69-00000-52512	TRAF0;SWITCH MODE;P0AL3;UNIVERSAL 100 TO 240;COMMON;590uH;SUPERWORLD PN:R17-19-01214		

Quarz

	Quantity	Unit	S.Sku	M.Sku	Description	Reference Designators	Notes
1	1.0000	PC	X65-40471-00000	H65-40471-00000	QUARZ;RESONATOR;10MHz;HC49/S;FUNDAMENTAL	[1:01: {1.0}{Y1}]	
2	1.0000	PC	X65-40471-20000	H65-40471-20000	QUARZ;RESONATOR;12MHz;HC49/4H FUNDAMENTAL	[UCA200:1: {1.0}{Q1}]	

Resistor

	Quantity	Unit	S.Sku	M.Sku	Description	Reference Designators	Notes
1	6.0000	PC			RESISTOR;CARBON;130Kohm;5%;0W063;SMD603	[P0556:2: {6.0}(R152,R155,R158,R161,R164,R167)]	*NOT available in DP
2	1.0000	PC			RESISTOR;CARBON;0ohm;5%;0W063;SMD603	[1:01: {1.0}(R5)]	*NOT available in DP
3	1.0000	PC			RESISTOR;CARBON;2ohm2;5%;0W063;SMD603	[1:01: {1.0}(R4)]	*NOT available in DP
4	12.0000	PC			RESISTOR;CARBON;3ohm9;5%;0W063;SMD603	[P0556:2: {12.0}(R104-R115)]	*NOT available in DP
5	6.0000	PC			RESISTOR;CARBON;4ohm7;5%;0W063;SMD603	[P0556:2: {6.0}(R169,R171,R173,R175,R177,R179)]	*NOT available in DP
6	2.0000	PC			RESISTOR;CARBON;22ohm;5%;0W063;SMD603	[P0496:1: {2.0}(R29-R30)]	*NOT available in DP
7	1.0000	PC			RESISTOR;CARBON;100ohm;5%;0W063;SMD603	[P0556:1: {1.0}(R536)]	*NOT available in DP
8	7.0000	PC			RESISTOR;CARBON;120ohm;5%;0W063;SMD603	[P0556:1: {1.0}(R525)]	*NOT available in DP
9	6.0000	PC			RESISTOR;CARBON;220ohm;5%;0W063;SMD603	[P0496:1: {6.0}(R2,R5-R7,R11,R13)]	*NOT available in DP
10	2.0000	PC			RESISTOR;CARBON;330ohm;5%;0W063;SMD603	[P0556:1: {2.0}(R497,R517)]	*NOT available in DP
11	2.0000	PC			RESISTOR;CARBON;360ohm;5%;0W063;SMD603	[P0556:2: {2.0}(R100,R116)]	*NOT available in DP
12	4.0000	PC			RESISTOR;CARBON;470ohm;5%;0W063;SMD603	[P0496:1: {1.0}(R12)]	*NOT available in DP
13	3.0000	PC			RESISTOR;CARBON;510ohm;5%;0W063;SMD603	[P0556:1: {3.0}(R473,R714-R715)]	*NOT available in DP
14	1.0000	PC			RESISTOR;CARBON;620ohm;5%;0W063;SMD603	[P0556:1: {1.0}(R498)]	*NOT available in DP
15	12.0000	PC			RESISTOR;CARBON;680ohm;5%;0W063;SMD603	[P0556:1: {12.0}(R259,R261-R262,R264-R265,R267-R268,R270-R271,R273-R274,R276)]	*NOT available in DP
16	16.0000	PC			RESISTOR;CARBON;1Kohm;5%;0W063;SMD603	[P0496:1: {1.0}(R32)]	*NOT available in DP
17	2.0000	PC			RESISTOR;CARBON;1Kohm2;5%;0W063;SMD603	[P0556:2: {2.0}(R101,R117)]	*NOT available in DP
18	1.0000	PC			RESISTOR;CARBON;1Kohm3;5%;0W063;SMD603	[P0556:1: {1.0}(R474)]	*NOT available in DP
19	33.0000	PC			RESISTOR;CARBON;1Kohm5;5%;0W063;SMD603	[P0496:1: {1.0}(R25)]	*NOT available in DP
20	1.0000	PC			RESISTOR;CARBON;1Kohm8;5%;0W063;SMD603	[P0556:1: {1.0}(R241)]	*NOT available in DP
21	19.0000	PC			RESISTOR;CARBON;2Kohm;5%;0W063;SMD603	[P0556:1: {19.0}(R277-R284,R288,R290,R292,R294,R329,R331,R333,R335,R464,R469,R500)]	*NOT available in DP
22	2.0000	PC			RESISTOR;CARBON;2Kohm2;5%;0W063;SMD603	[P0556:2: {2.0}(R102,R118)]	*NOT available in DP
23	10.0000	PC			RESISTOR;CARBON;2Kohm7;5%;0W063;SMD603	[P0556:1: {4.0}(R454,R470,R503,R523)]	*NOT available in DP
24	2.0000	PC			RESISTOR;CARBON;3Kohm3;5%;0W063;SMD603	[P0556:1: {2.0}(R455,R471)]	*NOT available in DP
25	2.0000	PC			RESISTOR;CARBON;3Kohm6;5%;0W063;SMD603	[P0556:2: {2.0}(R99,R123)]	*NOT available in DP
26	16.0000	PC			RESISTOR;CARBON;3Kohm9;5%;0W063;SMD603	[P0496:1: {2.0}(R20,R23)]	*NOT available in DP
27	4.0000	PC			RESISTOR;CARBON;4Kohm7;5%;0W063;SMD603	[P0556:1: {4.0}(R560,R562,R564,R566)]	*NOT available in DP
28	24.0000	PC			RESISTOR;CARBON;5Kohm1;5%;0W063;SMD603	[P0556:1: {24.0}(R260,R263,R266,R269,R272,R275,R295,R297,R299,R301,R303,R305,R340,R344,R348,R352,R356,R360,R553,R653,R682-R683,R706-R707)]	*NOT available in DP
29	4.0000	PC			RESISTOR;CARBON;5Kohm6;5%;0W063;SMD603	[P0496:1: {1.0}(R17)]	*NOT available in DP
30	40.0000	PC			RESISTOR;CARBON;6Kohm8;5%;0W063;SMD603	[P0496:1: {2.0}(R19,R22)]	*NOT available in DP
31	7.0000	PC			RESISTOR;CARBON;8Kohm2;5%;0W063;SMD603	[P0556:1: {7.0}(R342,R346,R350,R354,R358,R362,R446)]	*NOT available in DP
32	66.0000	PC			RESISTOR;CARBON;10Kohm;5%;0W063;SMD603	[P0496:1: {3.0}(R18,R26,R28)]	*NOT available in DP
33	10.0000	PC			RESISTOR;CARBON;12Kohm;5%;0W063;SMD603	[P0556:1: {10.0}(R229,R232,R235,R238,R243-R246,R477-R478)]	*NOT available in DP
34	42.0000	PC			RESISTOR;CARBON;15Kohm;5%;0W063;SMD603	[P0556:1: {36.0}(R509-R516,R548-R549,R636-R637,R639-R650,R656-R658,R660,R665-R666,R669-R670,R673-R674,R677-R678)]	*NOT available in DP
35	2.0000	PC			RESISTOR;CARBON;16Kohm;5%;0W063;SMD603	[P0496:1: {2.0}(R15,R24)]	*NOT available in DP
36	3.0000	PC			RESISTOR;CARBON;18Kohm;5%;0W063;SMD603	[P0556:1: {3.0}(R638,R659,R661)]	*NOT available in DP
37	16.0000	PC			RESISTOR;CARBON;20Kohm;5%;0W063;SMD603	[P0556:1: {4.0}(R218,R447-R448,R552)]	*NOT available in DP
38	12.0000	PC			RESISTOR;CARBON;22Kohm;5%;0W063;SMD603	[P0496:1: {4.0}(R1,R4,R8,R10)]	*NOT available in DP
39	1.0000	PC			RESISTOR;CARBON;24Kohm;5%;0W063;SMD603	[1:01: {1.0}(R12)]	*NOT available in DP

	Quantity	Unit	S.Sku	M.Sku	Description	Reference Designators	Notes
40	26.0000	PC			RESISTOR;CARBON;27Kohm;5%;0W063;SMD603	[P0496:1: {2.0}(R9,R16)]	*NOT available in DP
41	2.0000	PC			RESISTOR;CARBON;30Kohm;5%;0W063;SMD603	[P0556:1: {2.0}(R475-R476)]	*NOT available in DP
42	1.0000	PC			RESISTOR;CARBON;33Kohm;5%;0W063;SMD603	[P0496:1: {1.0}(R27)]	*NOT available in DP
43	8.0000	PC			RESISTOR;CARBON;36Kohm;5%;0W063;SMD603	[P0556:1: {8.0}(R215-R216,R456,R459-R460,R472,R704-R705)]	*NOT available in DP
44	2.0000	PC			RESISTOR;CARBON;43Kohm;5%;0W063;SMD603	[P0556:1: {2.0}(R457-R458)]	*NOT available in DP
45	15.0000	PC			RESISTOR;CARBON;47Kohm;5%;0W063;SMD603	[P0556:1: {15.0}(R242,R384-R391,R504,R507-R508,R524,R711-R712)]	*NOT available in DP
46	2.0000	PC			RESISTOR;CARBON;82Kohm;5%;0W063;SMD603	[P0556:1: {2.0}(R423,R428)]	*NOT available in DP
47	7.0000	PC			RESISTOR;CARBON;100Kohm;5%;0W063;SMD603	[P0556:1: {7.0}(R414-R415,R424,R429,R619,R681,R708)]	*NOT available in DP
48	1.0000	PC			RESISTOR;CARBON;200Kohm;5%;0W063;SMD603	[P0556:1: {1.0}(R620)]	*NOT available in DP
49	1.0000	PC			RESISTOR;CARBON;1Mohm;5%;0W063;SMD603	[P0496:1: {1.0}(R3)]	*NOT available in DP
50	5.0000	PC			RESISTOR;METAL;0ohm;5%;0W063;SMD603	[1:01: {5.0}(R14,R20-R23)]	*NOT available in DP
51	1.0000	PC			RESISTOR;METAL;5ohm1;1%;0W063;SMD603	[1:01: {1.0}(R1)]	*NOT available in DP
52	3.0000	PC			RESISTOR;METAL;100ohm;1%;0W063;SMD603	[1:01: {3.0}(R11,R16-R17)]	*NOT available in DP
53	2.0000	PC			RESISTOR;METAL;150ohm;1%;0W063;SMD603	[1:01: {2.0}(R2-R3)]	*NOT available in DP
54	2.0000	PC			RESISTOR;METAL;806ohm;1%;0W063;SMD603	[P0556:1: {2.0}(R325,R412)]	*NOT available in DP
55	1.0000	PC			RESISTOR;METAL;1Kohm;1%;0W063;SMD603	[1:01: {1.0}(R8)]	*NOT available in DP
56	2.0000	PC			RESISTOR;METAL;1Kohm24;1%;0W063;SMD603	[P0556:1: {2.0}(R317,R402)]	*NOT available in DP
57	14.0000	PC			RESISTOR;METAL;1Kohm3;1%;0W063;SMD603	[P0556:1: {2.0}(R310,R395)]	*NOT available in DP
58	4.0000	PC			RESISTOR;METAL;2Kohm;1%;0W063;SMD603	[P0556:1: {4.0}(R307,R324,R392,R410)]	*NOT available in DP
59	1.0000	PC			RESISTOR;METAL;2Kohm2;1%;0W063;SMD603	[1:01: {1.0}(R7)]	*NOT available in DP
60	2.0000	PC			RESISTOR;METAL;2Kohm43;1%;0W063;SMD603	[P0556:1: {2.0}(R315,R400)]	*NOT available in DP
61	2.0000	PC			RESISTOR;METAL;3Kohm74;1%;0W063;SMD603	[P0556:1: {2.0}(R321,R407)]	*NOT available in DP
62	2.0000	PC			RESISTOR;METAL;4Kohm7;1%;0W063;SMD603	[1:01: {2.0}(R18-R19)]	*NOT available in DP
63	2.0000	PC			RESISTOR;METAL;5Kohm11;1%;0W063;SMD603	[P0556:1: {2.0}(R312,R397)]	*NOT available in DP
64	4.0000	PC			RESISTOR;METAL;6Kohm34;1%;0W063;SMD603	[P0556:1: {4.0}(R309,R326,R394,R413)]	*NOT available in DP
65	2.0000	PC			RESISTOR;METAL;7Kohm50;1%;0W063;SMD603	[P0556:1: {2.0}(R320,R405)]	*NOT available in DP
66	1.0000	PC			RESISTOR;METAL;9Kohm09;1%;0W063;SMD603	[P0556:1: {1.0}(R256)]	*NOT available in DP
67	5.0000	PC			RESISTOR;METAL;10Kohm;1%;0W063;SMD603	[1:01: {3.0}(R6,R13,R15)]	*NOT available in DP
68	2.0000	PC			RESISTOR;METAL;11Kohm;1%;0W063;SMD603	[P0556:1: {2.0}(R323,R409)]	*NOT available in DP
69	2.0000	PC			RESISTOR;METAL;12Kohm7;1%;0W063;SMD603	[P0556:1: {2.0}(R365,R396)]	*NOT available in DP
70	2.0000	PC			RESISTOR;METAL;13Kohm3;1%;0W063;SMD603	[P0556:1: {2.0}(R370,R383)]	*NOT available in DP
71	2.0000	PC			RESISTOR;METAL;16Kohm5;1%;0W063;SMD603	[P0556:1: {2.0}(R308,R393)]	*NOT available in DP
72	2.0000	PC			RESISTOR;METAL;19Kohm6;1%;0W063;SMD603	[P0556:1: {2.0}(R314,R399)]	*NOT available in DP
73	2.0000	PC			RESISTOR;METAL;20Kohm;1%;0W063;SMD603	[P0556:1: {2.0}(R316,R381)]	*NOT available in DP
74	2.0000	PC			RESISTOR;METAL;22Kohm1;1%;0W063;SMD603	[P0556:1: {2.0}(R369,R411)]	*NOT available in DP
75	2.0000	PC			RESISTOR;METAL;24Kohm3;1%;0W063;SMD603	[P0556:1: {2.0}(R322,R408)]	*NOT available in DP
76	2.0000	PC			RESISTOR;METAL;33Kohm2;1%;0W063;SMD603	[P0556:1: {2.0}(R364,R379)]	*NOT available in DP
77	4.0000	PC			RESISTOR;METAL;40Kohm2;1%;0W063;SMD603	[P0556:1: {4.0}(R313,R366,R398,R401)]	*NOT available in DP
78	2.0000	PC			RESISTOR;METAL;43Kohm20;1%;0W063;SMD603	[P0556:1: {2.0}(R319,R404)]	*NOT available in DP
79	3.0000	PC			RESISTOR;METAL;47Kohm;1%;0W063;SMD603	[1:01: {1.0}(R10)]	*NOT available in DP
80	2.0000	PC			RESISTOR;METAL;82Kohm5;1%;0W063;SMD603	[P0556:1: {2.0}(R311,R380)]	*NOT available in DP
81	2.0000	PC			RESISTOR;METAL;91Kohm;1%;0W063;SMD603	[P0556:1: {2.0}(R367,R382)]	*NOT available in DP
82	1.0000	PC			RESISTOR;METAL;1Mohm;1%;0W063;SMD603	[1:01: {1.0}(R9)]	*NOT available in DP
83	1.0000	PC			RESISTOR;CARBON;6ohm8;5%;0W1;SMD805	[SMP5U22:00: {1.0}(R17)]	*NOT available in DP
84	2.0000	PC			RESISTOR;CARBON;22ohm;5%;0W1;SMD805	[P0556:1: {2.0}(R651-R652)]	*NOT available in DP
85	6.0000	PC			RESISTOR;CARBON;47ohm;5%;0W1;SMD805	[P0556:2: {6.0}(R144-R145,R192-R193,R205-R206)]	*NOT available in DP

	Quantity	Unit	S.Sku	M.Sku	Description	Reference Designators	Notes
86	12.0000	PC			RESISTOR;CARBON;120ohm;5%;0W1;SMD805	[SMPSU22:00: {2.0}(R9-R10)]	*NOT available in DP
87	1.0000	PC			RESISTOR;CARBON;470ohm;5%;0W1;SMD805	[SMPSU22:00: {1.0}(R24)]	*NOT available in DP
88	1.0000	PC			RESISTOR;CARBON;510ohm;5%;0W1;SMD805	[P0556:1: {1.0}(R547)]	*NOT available in DP
89	1.0000	PC			RESISTOR;CARBON;560ohm;5%;0W1;SMD805	[SMPSU22:00: {1.0}(R25)]	*NOT available in DP
90	1.0000	PC			RESISTOR;CARBON;820ohm;5%;0W1;SMD805	[SMPSU22:00: {1.0}(R23)]	*NOT available in DP
91	2.0000	PC			RESISTOR;CARBON;1Kohm;5%;0W1;SMD805	[P0496:1: {1.0}(R42)]	*NOT available in DP
92	12.0000	PC			RESISTOR;CARBON;1Kohm5;5%;0W1;SMD805	[P0556:1: {12.0}(R527-R532,R539-R542,R544,R546)]	*NOT available in DP
93	4.0000	PC			RESISTOR;CARBON;2Kohm2;5%;0W1;SMD805	[SMPSU22:00: {4.0}(R7-R8,R14-R15)]	*NOT available in DP
94	2.0000	PC			RESISTOR;CARBON;3Kohm3;5%;0W1;SMD805	[P0496:1: {1.0}(R39)]	*NOT available in DP
95	1.0000	PC			RESISTOR;CARBON;5Kohm1;5%;0W1;SMD805	[P0556:1: {1.0}(R337)]	*NOT available in DP
96	1.0000	PC			RESISTOR;CARBON;10Kohm;5%;0W1;SMD805	[SMPSU22:00: {1.0}(R6)]	*NOT available in DP
97	1.0000	PC			RESISTOR;CARBON;22Kohm;5%;0W1;SMD805	[SMPSU22:00: {1.0}(R22)]	*NOT available in DP
98	3.0000	PC			RESISTOR;CARBON;47Kohm;5%;0W1;SMD805	[SMPSU22:00: {3.0}(R20-R21,R26)]	*NOT available in DP
99	3.0000	PC			RESISTOR;CARBON;680Kohm;5%;0W1;SMD805	[SMPSU22:00: {3.0}(R11-R13)]	*NOT available in DP
100	1.0000	PC			RESISTOR;METAL;10Kohm;1%;0W1;SMD805	[SMPSU22:00: {1.0}(R18)]	*NOT available in DP
101	1.0000	PC			RESISTOR;METAL;56Kohm2;1%;0W1;SMD805	[SMPSU22:00: {1.0}(R16)]	*NOT available in DP
102	2.0000	PC			RESISTOR;ARRAY METAL;33ohm;1%;SMD1206	[P0556:1: {2.0}(R214,R219)]	*NOT available in DP
103	4.0000	PC			RESISTOR;ARRAY;120ohm;SMD1206;CAY16-121J4	[P0556:2: {2.0}(R98,R122)]	*NOT available in DP
104	2.0000	PC			RESISTOR;ARRAY;510ohm;SMD1206;CAY16-511J4	[P0556:2: {2.0}(R203-R204)]	*NOT available in DP
105	1.0000	PC			RESISTOR;ARRAY;1Kohm;SMD1206;CAY16-102J4	[P0556:1: {1.0}(R213)]	*NOT available in DP
106	8.0000	PC			RESISTOR;ARRAY;METAL;2Kohm20;1%;SMD1206	[P0556:2: {8.0}(R146-R149,R188-R191)]	*NOT available in DP
107	5.0000	PC			RESISTOR;ARRAY;3Kohm9;SMD1206;CAY16-392J4	[P0556:1: {5.0}(R627-R630,R632)]	*NOT available in DP
108	5.0000	PC			RESISTOR;ARRAY;METAL;4Kohm42;1%;SMD1206	[P0556:1: {5.0}(R417-R421)]	*NOT available in DP
109	1.0000	PC			RESISTOR;ARRAY;4Kohm7;SMD1206;CAY16-472J4	[P0556:1: {1.0}(R228)]	*NOT available in DP
110	9.0000	PC			RESISTOR;ARRAY;5Kohm1;SMD1206;CAY16-512J4	[P0556:1: {7.0}(R431,R436-R441)]	*NOT available in DP
111	9.0000	PC			RESISTOR;ARRAY;6Kohm8;SMD1206;CAY16-682J4	[P0556:1: {8.0}(R372,R374,R376,R378,R533,R596,R634-R635)]	*NOT available in DP
112	27.0000	PC			RESISTOR;ARRAY;10Kohm;SMD1206;CAY16-103J4	[P0556:1: {23.0}(R255,R257-R258,R285-R286,R327,R416,R426-R427,R432-R435,R442,R463,R465-R468,R534-R535,R538,R570)]	*NOT available in DP
113	2.0000	PC			RESISTOR;ARRAY;12Kohm;SMD1206;CAY16-123J4	[P0556:1: {2.0}(R449,R519)]	*NOT available in DP
114	2.0000	PC			RESISTOR;ARRAY;METAL;13Kohm3;1%;SMD1206	[P0556:1: {2.0}(R328,R422)]	*NOT available in DP
115	1.0000	PC			RESISTOR;ARRAY;15Kohm;SMD1206;CAY16-153J4	[P0556:1: {1.0}(R543)]	*NOT available in DP
116	1.0000	PC			RESISTOR;ARRAY;18Kohm;SMD1206;CAY16-183J4	[P0556:1: {1.0}(R662)]	*NOT available in DP
117	5.0000	PC			RESISTOR;ARRAY;20Kohm;SMD1206;CAY16-203J4	[P0556:1: {3.0}(R425,R430,R545)]	*NOT available in DP
118	2.0000	PC			RESISTOR;ARRAY;27Kohm;SMD1206;CAY16-273J4	[P0556:1: {2.0}(R595,R633)]	*NOT available in DP
119	2.0000	PC			RESISTOR;ARRAY;36Kohm;SMD1206;CAY16-363J4	[P0556:1: {2.0}(R445,R631)]	*NOT available in DP
120	10.0000	PC			RESISTOR;ARRAY;47Kohm;SMD1206;CAY16-473J4	[P0556:1: {10.0}(R591-R594,R621-R626)]	*NOT available in DP
121	1.0000	PC			RESISTOR;ARRAY;62Kohm;SMD1206;CAY16-623J4	[P0556:1: {1.0}(R452)]	*NOT available in DP
122	1.0000	PC			RESISTOR;ARRAY;100Kohm;SMD1206;CAY16-104J4	[P0556:1: {1.0}(R451)]	*NOT available in DP
123	4.0000	PC			RESISTOR;ARRAY;220Kohm;SMD1206;CAY16-224J4	[P0556:1: {4.0}(R209-R212)]	*NOT available in DP
124	4.0000	PC			RESISTOR;ARRAY;1Mohm;SMD1206;CAY16-105J4	[P0556:1: {4.0}(R371,R373,R375,R377)]	*NOT available in DP
125	1.0000	PC	Y04-00100-23978	I04-00100-23978	THERMISTOR;NTC;10ohm;3A	[SMPSU22:00: {1.0}(R1)]	
126	1.0000	PC			VARISTOR;10 %;470 V;10D471K	[SMPSU22:00: {1.0}(VT1)]	*NOT available in DP
127	1.0000	PC			RESISTOR;CARBON;10ohm;5%;0W25;LEAD WIRE;HORIZONTAL 26-6mm	[00000: {1.0}(R4)]	*NOT available in DP
128	2.0000	PC			RESISTOR;CARBON;27ohm;5%;0W25;LEAD WIRE	[P0556:1: {2.0}(R61-R62)]	*NOT available in DP
129	12.0000	PC			RESISTOR;CARBON;510ohm;5%;0W25;LEAD WIRE	[P0556:2: {12.0}(R43-R44,R46-R47,R49-R50,R52-R53,R55-R56,R58-R59)]	*NOT available in DP

	Quantity	Unit	S.Sku	M.Sku	Description	Reference Designators	Notes
130	2.0000	PC			RESISTOR;METAL;390ohm;1%;0W25;LEAD WIRE	[P0556:1: {2.0}(R65-R66)]	*NOT available in DP
131	12.0000	PC			RESISTOR;METAL;825ohm;1%;0W25;LEAD WIRE	[P0556:2: {12.0}(R1-R12)]	*NOT available in DP
132	12.0000	PC			RESISTOR;METAL;2Kohm49;1%;0W25;LEAD WIRE	[P0556:2: {12.0}(R15-R16,R19-R20,R23-R24,R27-R28,R31-R32,R35-R36)]	*NOT available in DP
133	12.0000	PC			RESISTOR;METAL;3Kohm92;1%;0W25;LEAD WIRE	[P0556:2: {12.0}(R37-R42,R45,R48,R51,R54,R57,R60)]	*NOT available in DP
134	12.0000	PC			RESISTOR;METAL;6Kohm81;1%;0W25;LEAD WIRE	[P0556:2: {12.0}(R13-R14,R17-R18,R21-R22,R25-R26,R29-R30,R33-R34)]	*NOT available in DP
135	2.0000	PC			RESISTOR;METAL;10Kohm;1%;0W25;LEAD WIRE	[P0556:1: {2.0}(R63-R64)]	*NOT available in DP
136	1.0000	PC			RESISTOR;CARBON;220ohm;5%;0W5;LEAD WIRE;RADIAL	[SMPSU22:00: {1.0}(R5)]	*NOT available in DP
137	2.0000	PC			RESISTOR;CARBON;330ohm;5%;0W5;LEAD WIRE;RADIAL	[SMPSU22:00: {2.0}(R2-R3)]	*NOT available in DP
138	1.0000	PC			RESISTOR;CARBON;390ohm;5%;1W;LEAD WIRE	[P0556:1: {1.0}(R67)]	*NOT available in DP

Fader

	Quantity	Unit	S.Sku	M.Sku	Description	Reference Designators	Notes
1	11.0000	PC	Y00-33441-05353	I00-73441-02013	FADER;60mm;10Kohm;TAPER:D;MONO;W/O CC;LEVER;4mm*15mm;W/ THREADS M2;(SOUNDWELL SA6005NGA1B-HA1-007)	[P0556:1: {11.0}(VR101-VR106,VR111,VR113-VR116)]	
2	5.0000	PC	Y00-74451-02012	I00-74451-02012	FADER;60mm;10Kohm;TAPER:D;STEREO;W/O CC;LEVER LENGTH 15mm;(SOUNDWELL SA6005GOA0B-HA1-005)	[P0556:1: {5.0}(VR107-VR110,VR112)]	
3	9.0000	PC	Y00-92951-02422	I00-92951-02422	FADER;30mm;100Kohm;TAPER:W;STEREO;W/CC;(POLYSHINE F-3092E+C+E-W100K1-L9.5(J));RED LED	[P0556:1: {9.0}(VR38-VR46)]	
4	0.0000	PC	Y00-33441-05353	I00-93441-01786	FADER;60mm;10Kohm;TAPER:D;MONO;W/O CC;LEVER;4mm*15mm;W/ THREADS M2;(POLYSHINE F-6045G-N1 D10K L15C(M)(J))		
5	0.0000	PC	Y00-74451-02012	I00-94451-02670	FADER;60mm;10Kohm;TAPER:D;STEREO;W/O CC;LEVER LENGTH 15mm;(POLYSHINE F-6045G1 D10K1 L15C(M)(J))		

Potentiometer

	Quantity	Unit	S.Sku	M.Sku	Description	Reference Designators	Notes
1	6.0000	PC	Y03-85241-01899	I03-61241-06648	POTENTIOMETER;10Kohm;TAPER:1B;MONO;SHAFT:30MM;W/ CC;20-100gf;NORMAL TORQUE;(NOBLE XV09213YNPV30F1B10KCC)	[P0556:1: {6.0}(VR18-VR23)]	
2	12.0000	PC	Y03-85245-01974	I03-61245-06649	POTENTIOMETER;50Kohm;TAPER:1B;MONO;SHAFT:30MM;W/ CC;20-100gf;NORMAL TORQUE;(NOBLE XV09213YNPV30F1B50KCC)	[P0556:1: {12.0}(VR7-VR12,VR47-VR52)]	
3	32.0000	PC	Y03-31645-02934	I03-61245-06653	POTENTIOMETER;50Kohm;TAPER:3B;MONO;SHAFT:30MM;W/ CC;20-100gf;NORMAL TORQUE;(NOBLE XV09213YNPV30F3B50KCC)	[P0556:1: {32.0}(VR17,VR57-VR77,VR80-VR89)]	
4	16.0000	PC	Y03-82245-00566	I03-62245-06643	POTENTIOMETER;50Kohm;TAPER:1B;STEREO;W/CC;20-100gf;NORMAL TORQUE;(NOBLE XV012313YGPV30F1B50KCC)	[P0556:1: {16.0}(VR13-VR16,VR24-VR27,VR34-VR37,VR53-VR56)]	
5	1.0000	PC	Y03-32645-02919	I03-62245-06645	POTENTIOMETER;50Kohm;TAPER:3B;STEREO;SHAFT:30MM;W/CC;20-100gf;NORMAL TORQUE;(NOBLE XV012313YGPV30F3B50KCC)	[P0556:1: {1.0}(VR90)]	
6	10.0000	PC	Y03-82041-00969	I03-62741-06642	POTENTIOMETER;10Kohm 10Kohm;TAPERA/C;STEREO;SHAFT:30MM;W/ CC;20-100gf;NORMAL TORQUE;(NOBLE XV012313YGPV30F15A10KCC)	[P0556:1: {10.0}(VR91-VR100)]	
7	1.0000	PC		I03-63131-06651	POTENTIOMETER;1Kohm;TAPER:15A;MONO;SHAFT:30MM;W/O CC;20-100gf;NORMAL TORQUE;(NOBLE XV09213YNPV30F15A1K)	[P0556:1: {1.0}(VR78)]	
8	6.0000	PC	Y03-85335-01906	I03-63335-06650	POTENTIOMETER;5Kohm;TAPER:C05;MONO;SHAFT:30MM;W/O CC;20-100gf;NORMAL TORQUE;(NOBLE XV09213YNPV30F05C5K)	[P0556:2: {6.0}(VR1-VR6)]	
9	1.0000	PC	Y03-34645-31441	I03-64245-06647	POTENTIOMETER;50Kohm;TAPER:3B;STEREO;SHAFT:30MM;W/O CC;20-100gf;NORMAL TORQUE;(NOBLE XV012313YGPV30F3B50K)	[P0556:1: {1.0}(VR79)]	
10	6.0000	PC	Y03-64345-06646	I03-64345-06646	POTENTIOMETER;50Kohm;TAPER:10C;STEREO;SHAFT:30MM;W/O CC;20-100gf;NORMAL TORQUE;(NOBLE XV012313YGPV30F10C50K)	[P0556:1: {6.0}(VR28-VR33)]	

Encoder

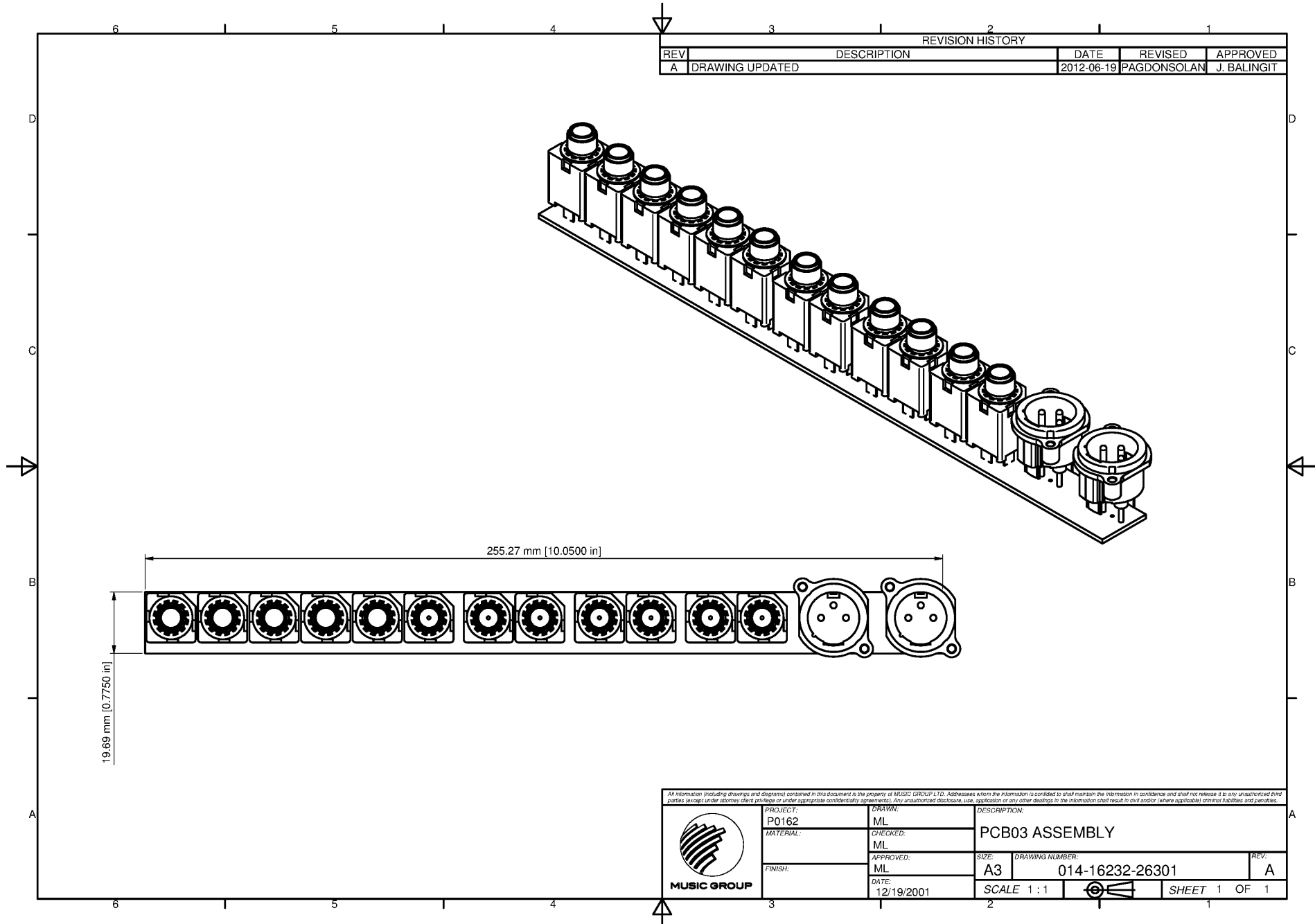
	Quantity	Unit	S.Sku	M.Sku	Description	Reference Designators	Notes
1	1.0000	PC	Y32-32430-24605	I32-92430-02704	ENCODER;12mm;DETENTS:24;PULSES:24;30mm;W/SWITCH;NO NUT;WASHER;(POLYSHINE F-12E55H24B-P+C L30FX12(O))	[P0556:1: {1.0}(SW11)]	

Switch

	Quantity	Unit	S.Sku	M.Sku	Description	Reference Designators	Notes
1	61.0000	PC	Y77-03422-02778	I77-03422-02778	SWITCH;RADIAL;2P2T;PCB VERSION;LOCKING;NONSHORT;RAD2P	[P0556:1: {51.0}(SW12,SW15,SW17-SW35,SW37-SW43,SW61-SW83)]	
2	21.0000	PC	Y77-03442-02780	I77-03442-02780	SWITCH;RADIAL;4P2T;PCB VERSION;LOCKING;NONSHORT;RAD4P	[P0556:1: {21.0}(SW13-SW14,SW16,SW36,SW44-SW60)]	
3	1.0000	PC	Y84-02211-00140	I84-02211-00140	SWITCH;ROCKER;1P1T;WHITE LINE MARKING RADIAL;LOCKING;NONSHORT;APPROVAL: UL94V0;(SOLTEAM MR22-FBBB-F2		
4	1.0000	PC	Y84-02211-02785	I84-02211-04984	SWITCH;ROCKER;POLES:1;TOGGLES:1;LOCKING;NONSHORT;SOLDER LUG;(CANAL:MR111-CVN-BBNW)		

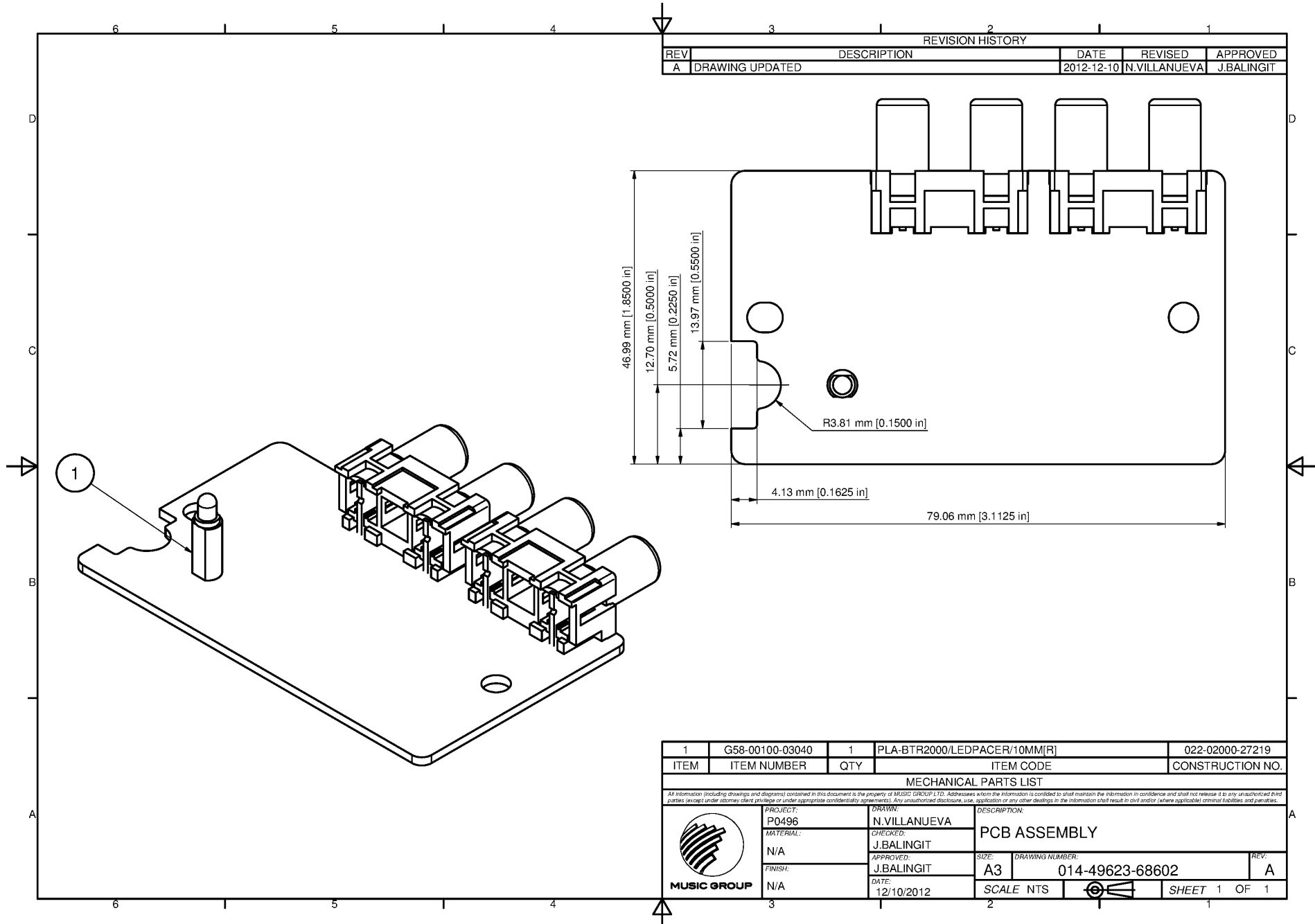
Transistor

	Quantity	Unit	S.Sku	M.Sku	Description	Reference Designators	Notes
1	2.0000	PC			TRANSISTOR;BD239C;TO220		*NOT available in DP
2	1.0000	PC			TRANSISTOR;BD240C;TO220		*NOT available in DP
3	12.0000	PC			TRANSISTOR;2SA970-GR;TAPING;P:2.54MM;TO92	[P0556:2: {12.0}(T1-T12)]	*NOT available in DP
4	34.0000	PC			TRANSISTOR;BC846B;SOT;SMD	[P0496:1: {3.0}(T1-T2,T4)]	*NOT available in DP
5	3.0000	PC			TRANSISTOR;BC856B;SOT;SMD	[P0496:1: {1.0}(T3)]	*NOT available in DP
6	12.0000	PC			TRANSISTOR;MBTA06;SOT	[P0556:2: {12.0}(T14-T25)]	*NOT available in DP
7	13.0000	PC			TRANSISTOR;MBTA56;SOT	[P0556:1: {13.0}(T26-T36,T72-T73)]	*NOT available in DP
8	1.0000	PC			TRANSISTOR;MPSA92;TO-92;TAPING	[P0556:1: {1.0}(T13)]	*NOT available in DP
9	5.0000	PC			TRANSISTOR;SST112;SOT	[P0556:1: {5.0}(T47-T51)]	*NOT available in DP
10	0.0000	PC			TRANSISTOR;TIP32C;TO220		*NOT available in DP

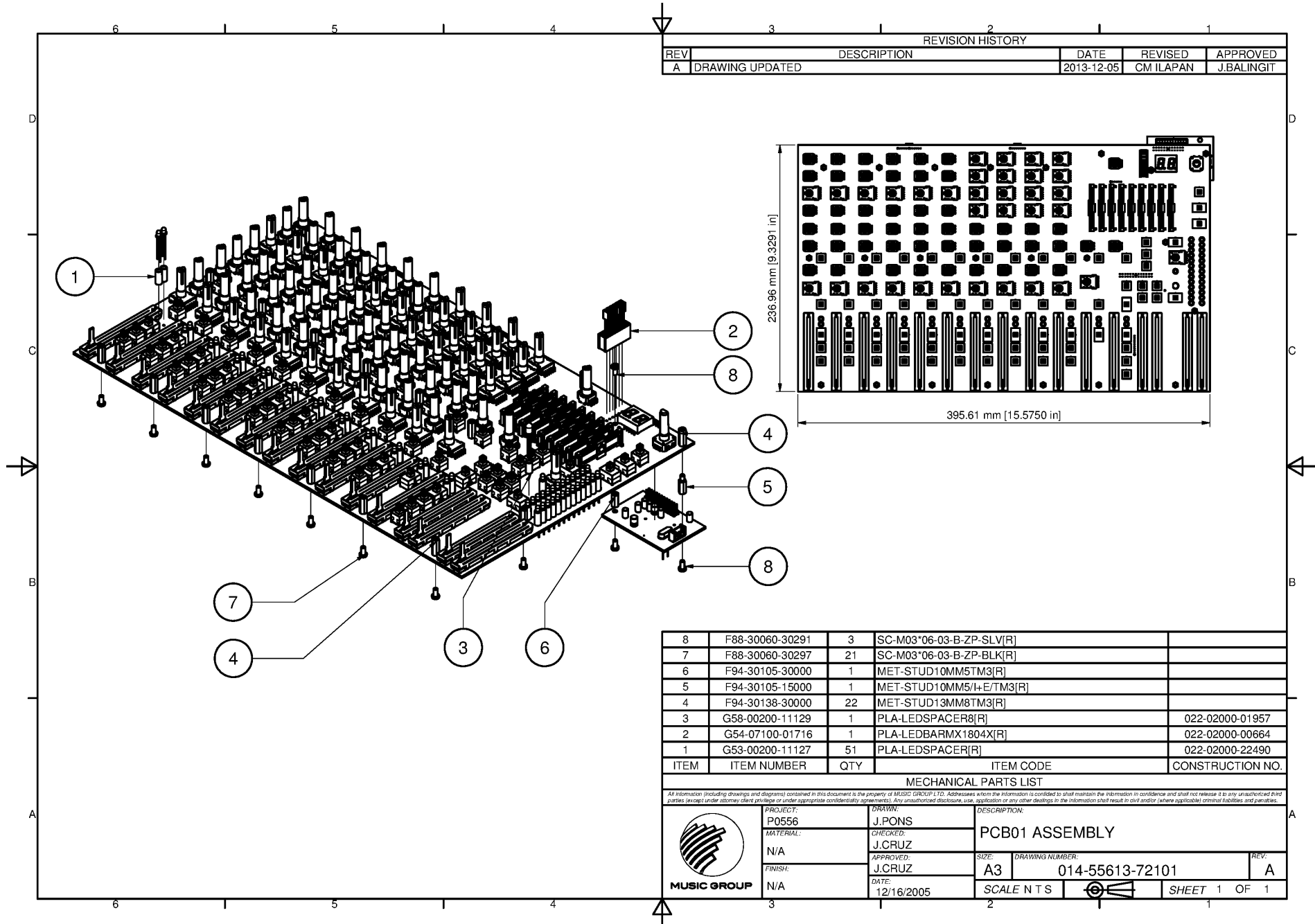


REVISION HISTORY				
REV	DESCRIPTION	DATE	REVISOR	APPROVED
A	DRAWING UPDATED	2012-06-19	PAGDONSOLAN	J. BALINGIT

<small>All information (including drawings and diagrams) contained in this document is the property of MUSIC GROUP LTD. Addressees whom the information is confided to shall maintain the information in confidence and shall not release it to any unauthorized third parties (except) under attorney client privilege or under appropriate confidentiality agreements. Any unauthorized disclosure, use, application or any other dealings in the information shall result in civil and/or (where applicable) criminal liabilities and penalties.</small>				
	PROJECT:	DRAWN:	DESCRIPTION:	
	P0162	ML	PCB03 ASSEMBLY	
	MATERIAL:	CHECKED:		
		ML		
	APPROVED:	SIZE:	DRAWING NUMBER:	REV:
	ML	A3	014-16232-26301	A
	DATE:	SCALE	SHEET	
	12/19/2001	1:1	1 OF 1	



1	G58-00100-03040	1	PLA-BTR2000/LEDPACER/10MM[R]	022-02000-27219
ITEM	ITEM NUMBER	QTY	ITEM CODE	CONSTRUCTION NO.
MECHANICAL PARTS LIST				
<small>All information (including drawings and diagrams) contained in this document is the property of MUSIC GROUP LTD. Addressees whom the information is confided to shall maintain the information in confidence and shall not release it to any unauthorized third parties (except) under attorney client privilege or under appropriate confidentiality agreements. Any unauthorized disclosure, use, application or any other dealings in the information shall result in civil and/or (where applicable) criminal liabilities and penalties.</small>				
	PROJECT:	N.VILLANUEVA		DESCRIPTION:
	MATERIAL:	J.BALINGIT		PCB ASSEMBLY
	APPROVED:	J.BALINGIT		SIZE: A3
	DATE:	12/10/2012	DRAWING NUMBER:	014-49623-68602
SCALE NTS				REV: A
			SHEET	1 OF 1



REVISION HISTORY				
REV	DESCRIPTION	DATE	REVISED	APPROVED
A	DRAWING UPDATED	2013-12-05	CM ILAPAN	J.BALINGIT

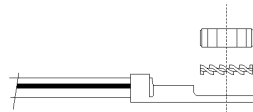
8	F88-30060-30291	3	SC-M03*06-03-B-ZP-SLV[R]	
7	F88-30060-30297	21	SC-M03*06-03-B-ZP-BLK[R]	
6	F94-30105-30000	1	MET-STUD10MM5TM3[R]	
5	F94-30105-15000	1	MET-STUD10MM5/H-E/TM3[R]	
4	F94-30138-30000	22	MET-STUD13MM8TM3[R]	
3	G58-00200-11129	1	PLA-LEDSPACER8[R]	022-02000-01957
2	G54-07100-01716	1	PLA-LEDBARMX1804X[R]	022-02000-00664
1	G53-00200-11127	51	PLA-LEDSPACER[R]	022-02000-22490
ITEM	ITEM NUMBER	QTY	ITEM CODE	CONSTRUCTION NO.

MECHANICAL PARTS LIST				
<small>All information (including drawings and diagrams) contained in this document is the property of MUSIC GROUP LTD. Addressees whom the information is confided to shall maintain the information in confidence and shall not release it to any unauthorized third parties (except under attorney client privilege or under appropriate confidentiality agreements). Any unauthorized disclosure, use, application or any other dealings in the information shall result in civil and/or (where applicable) criminal liabilities and penalties.</small>				
	PROJECT:	J.PONS	DESCRIPTION:	
	MATERIAL:	J.CRUIZ	PCB01 ASSEMBLY	
	APPROVED:	J.CRUIZ	SIZE:	DRAWING NUMBER:
	DATE:	12/16/2005	A3	014-55613-72101
			SCALE N T S	SHEET 1 OF 1



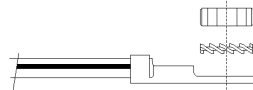
option: only for projects with PE-cable to PCB !

ASSEMBLED CABLE
(Yellow/Green) to PCB

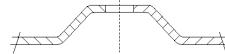


HEX NUT SC-NUHEXM04
WASHER TEETH EXTERNAL SC-WATEEXT4x7x1.7
ASSEMBLED CABLE WITH LUG 4.3mm WI-00/07/xxxx/07/05/00/18/34/00

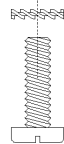
ASSEMBLED CABLE
(Yellow/Green) to Power Conn.



HEX NUT SC-NUHEXM04
WASHER TEETH EXTERNAL SC-WATEEXT4x7x1.7
ASSEMBLED CABLE WITH LUG 4.3mm WI-00/07/xxxx/07/05/00/18/34/00



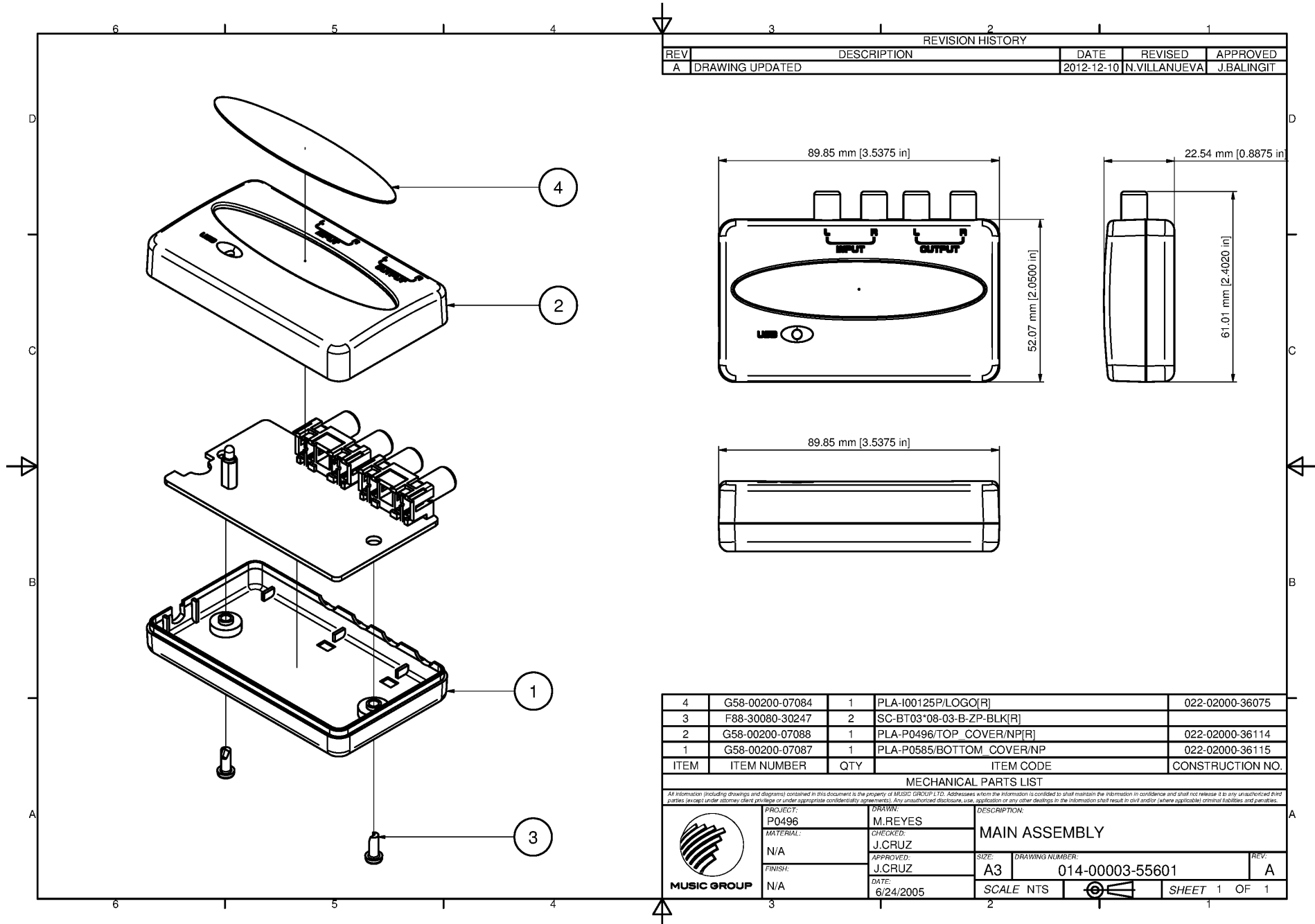
METAL CASE
WASHER TEETH EXTERNAL SC-WATEEXT4x7x1.7



SCREW SC-M04x16-02-B-ZP-SLV
(standard length, can be variable if required)

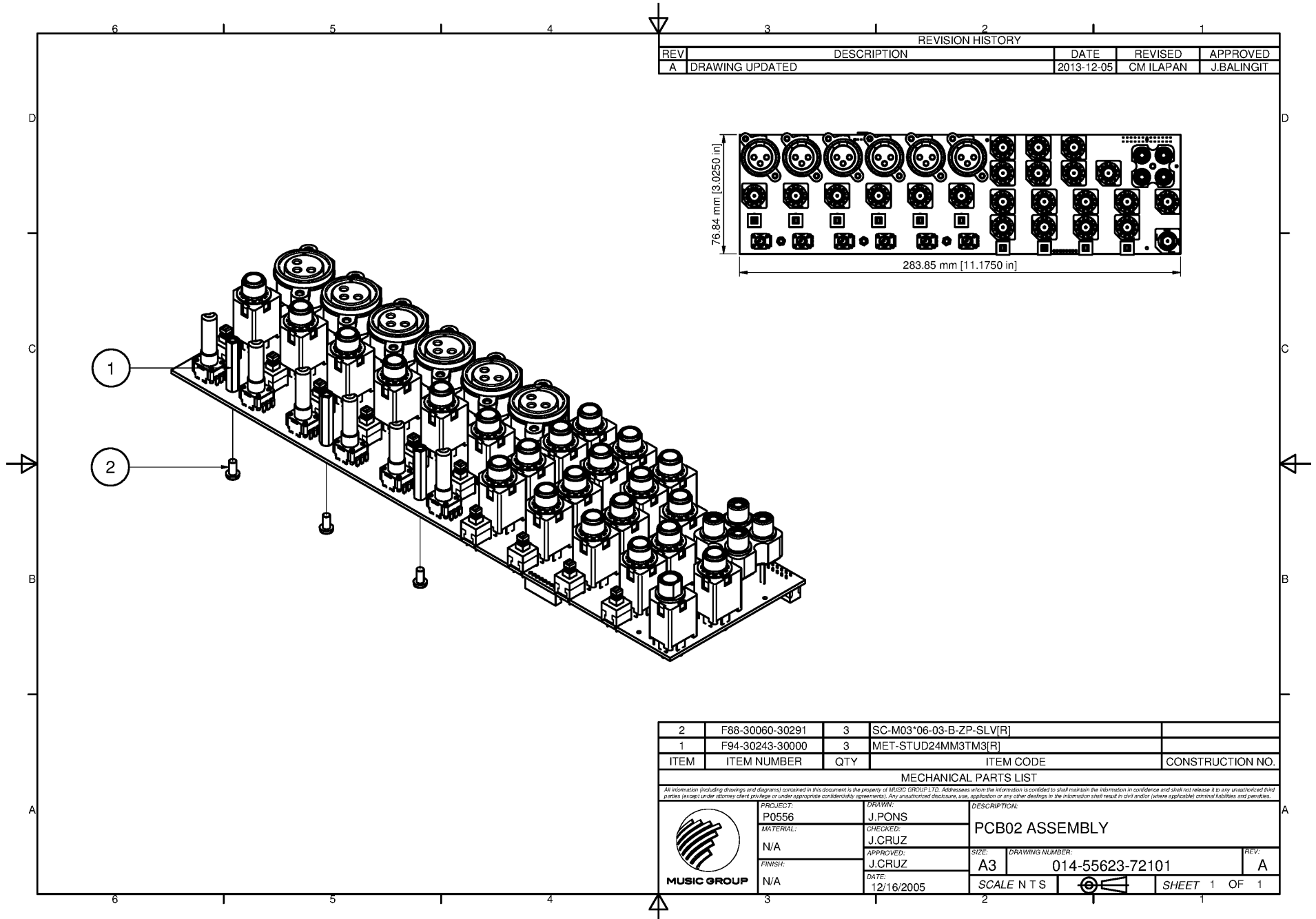
Part: ASSEMBLE DRAWING		Name	Date	Project:
		Drawn	PEUSE	08.01.1996
		File	R14-ASSEMBLE-PE-SCREW-REVD.DWG	
Drawing-No.:	X	Part-No.:		
		Color of Part		
		Printing		
		Surface		
D	changed from M3 to M4	03.06.2003	SCHOMMER	Scale
C	add optional block, delete P-IDs	11.03.2002	MERKEL	Material
B	adjust Part-IDs	11.04.2001	MERKEL	Units
A		08.01.1996	PEUSE	Behringer
Rev.	Modification	Date	Name	Part-ID:
				DRA-ASSEMBLE/PE-SCREW
				Page 1
				of 1





4	G58-00200-07084	1	PLA-I00125P/LOGO[R]	022-02000-36075
3	F88-30080-30247	2	SC-BT03*08-03-B-ZP-BLK[R]	
2	G58-00200-07088	1	PLA-P0496/TOP_COVER/NP[R]	022-02000-36114
1	G58-00200-07087	1	PLA-P0585/BOTTOM_COVER/NP	022-02000-36115
ITEM	ITEM NUMBER	QTY	ITEM CODE	CONSTRUCTION NO.

MECHANICAL PARTS LIST				
<small>All information (including drawings and diagrams) contained in this document is the property of MUSIC GROUP LTD. Addressees whom the information is confided to shall maintain the information in confidence and shall not release it to any unauthorized third parties (except under attorney client privilege or under appropriate confidentiality agreements). Any unauthorized disclosure, use, application or any other dealings in the information shall result in civil and/or (where applicable) criminal liabilities and penalties.</small>				
	PROJECT:	M.REYES	DESCRIPTION:	
	MATERIAL:	J.CRUIZ	MAIN ASSEMBLY	
	APPROVED:	J.CRUIZ	SIZE:	DRAWING NUMBER:
	FINISH:	N/A	A3	014-00003-55601
	DATE:	6/24/2005	SCALE:	NTS
				SHEET 1 OF 1



REVISION HISTORY				
REV	DESCRIPTION	DATE	REVISED	APPROVED
A	DRAWING UPDATED	2013-12-05	CM ILAPAN	J.BALINGIT

2	F88-30060-30291	3	SC-M03*06-03-B-ZP-SLV[R]	
1	F94-30243-30000	3	MET-STUD24MM3TM3[R]	
ITEM	ITEM NUMBER	QTY	ITEM CODE	CONSTRUCTION NO.

MECHANICAL PARTS LIST

All information (including drawings and diagrams) contained in this document is the property of MUSIC GROUP LTD. Addressees whom the information is confided to shall maintain the information in confidence and shall not release it to any unauthorized third parties (except under attorney client privilege or under appropriate confidentiality agreements). Any unauthorized disclosure, use, application or any other dealings in the information shall result in civil and/or (where applicable) criminal liabilities and penalties.

	PROJECT:	J.PONS	DESCRIPTION:	
	MATERIAL:	J.CRUZ	PCB02 ASSEMBLY	
	APPROVED:	J.CRUZ	SIZE:	DRAWING NUMBER:
	DATE:	12/16/2005	A3	014-55623-72101
			SCALE N T S	REV: A
				SHEET 1 OF 1



We Hear You