

THIS DOCUMENT AND THE INFORMATION CONTAINED THEREIN IS FOR THE CONFIDENTIAL USE OF NAIM AUDIO LTD AND THEIR APPOINTED AGENTS. NO PART MAY BE REPRODUCED OR USED ELSEWHERE IN ANY FORM OR BY ANY MEANS WITHOUT THE WRITTEN PERMISSION OF NAIM AUDIO LTD.



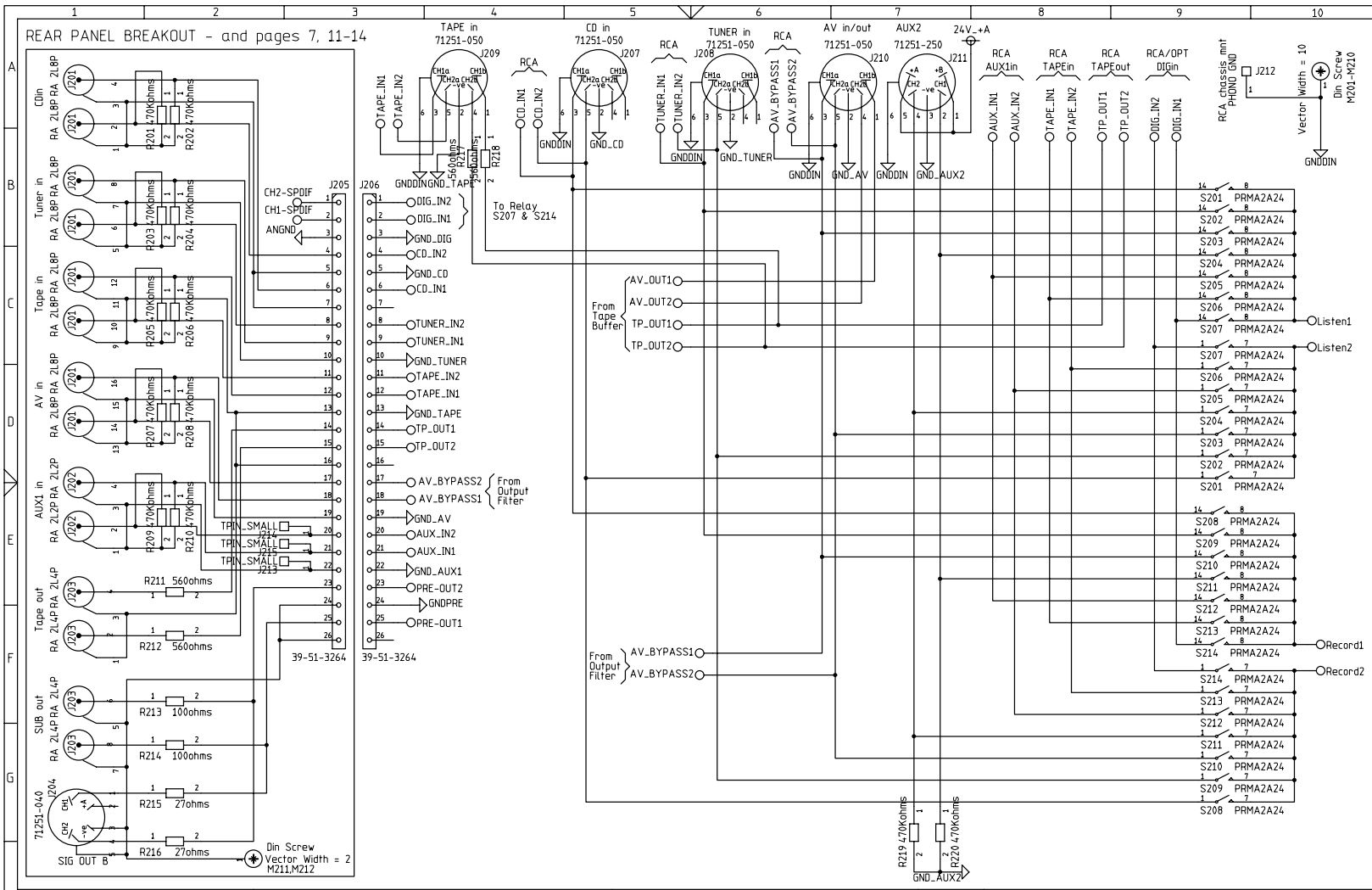
NAIM AUDIO LTD  
SOUTHAMPTON ROAD, SALISBURY  
WILTS, SP1 2LN, ENGLAND  
tel: 01722 332266 fax: 01722 412034

TITLE: SUPER NAIT OVERVIEW		
DRAWING NUMBER: ED203004-200 ISSUE: R1-5		
DRAWN: ADS	CHECK: GC	DATE: 15/08/2007

main PAGE: 1  
OF 15

WARNING! FOR SAFETY REASONS ALL COMPONENTS MUST BE REPLACED WITH FACTORY SUPPLIED PARTS.

FILE: R:\- P R O J E C T S -\203XXX - Integrated Amps\203004 - Super Nait\ED203004 - PCB Projects\ED203004-200 - Main\ED203004-200\_R1-5E1\main.sbk



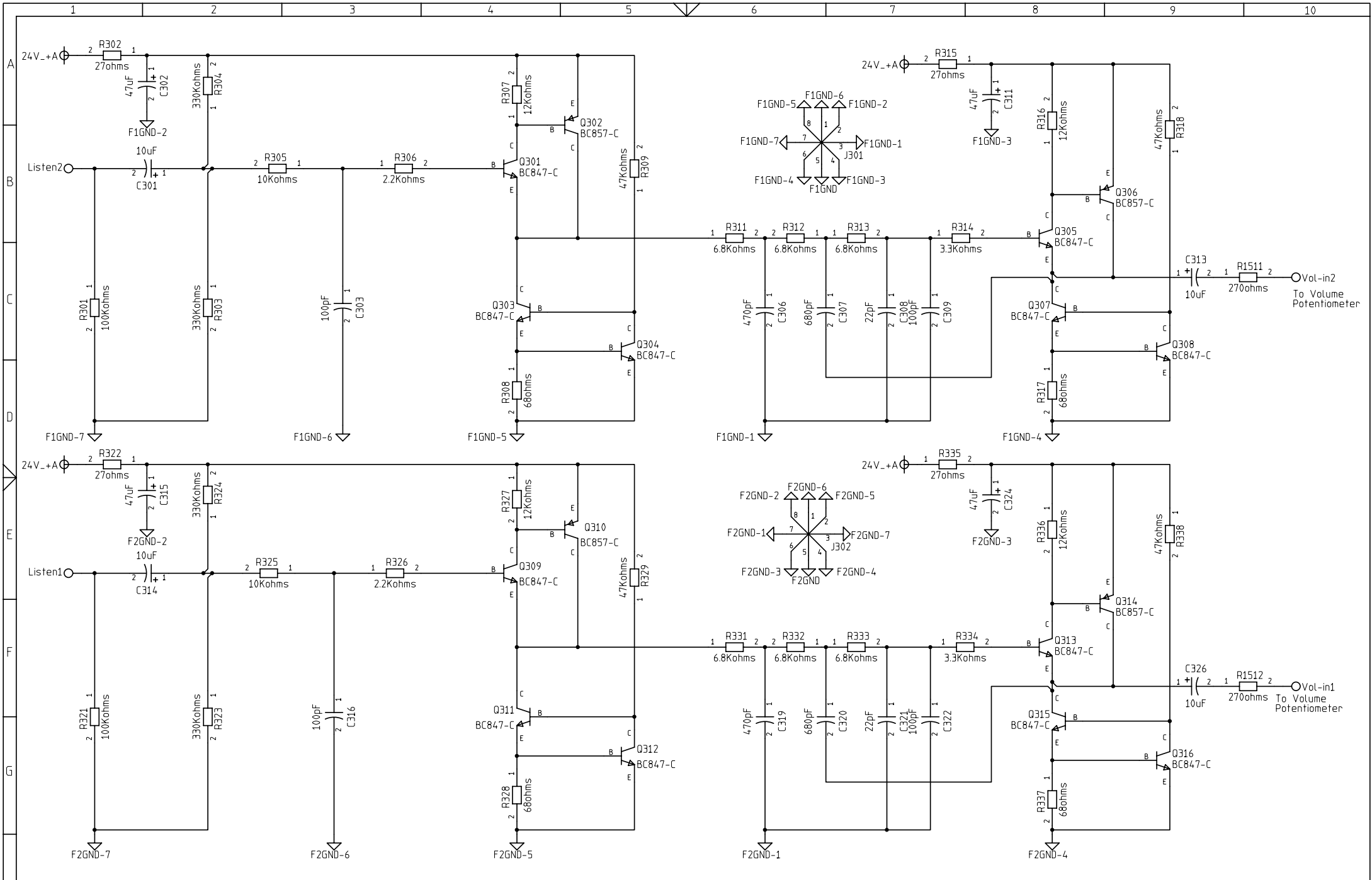
THIS DOCUMENT AND THE INFORMATION CONTAINED THEREIN IS FOR THE CONFIDENTIAL USE OF NAIM AUDIO LTD AND THEIR APPOINTED AGENTS. NO PART MAY BE REPRODUCED OR USED ELSEWHERE IN ANY FORM OR BY ANY MEANS WITHOUT THE WRITTEN PERMISSION OF NAIM AUDIO LTD.



NAIM AUDIO LTD  
SOUTHAMPTON ROAD, SALISBURY  
WILTS, SP1 2LN, ENGLAND  
Tel: 01722 332266 fax: 01722 412034

TITLE: Main Board Select and Record  
DRAWING NUMBER: ED203004-200 ISSUE: R1-5  
DRAWN: ADS CHECK: GC DATE: 15/08/2007

main PAGE: 02  
OF 15



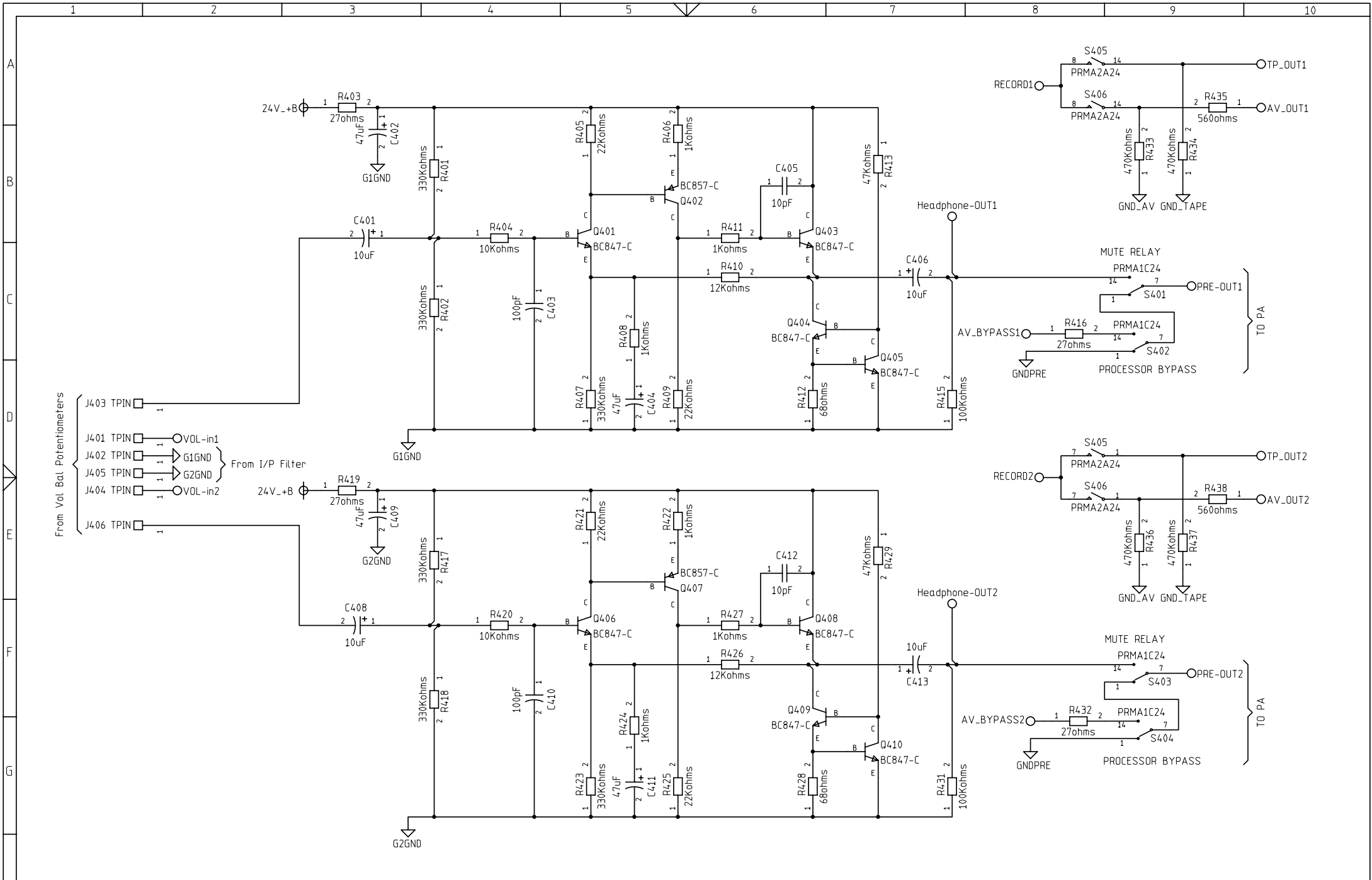
THIS DOCUMENT AND THE INFORMATION CONTAINED THEREIN IS FOR THE CONFIDENTIAL USE OF NAIM AUDIO LTD AND THEIR APPOINTED AGENTS. NO PART MAY BE REPRODUCED OR USED ELSEWHERE IN ANY FORM OR BY ANY MEANS WITHOUT THE WRITTEN PERMISSION OF NAIM AUDIO LTD.

**naim**  
 NAIM AUDIO LTD  
 SOUTHAMPTON ROAD, SALISBURY  
 WILTS, SP1 2LN, ENGLAND  
 tel: 01722 332266 fax: 01722 412034

TITLE: Main Board Input Filter Ch1 Ch2		
DRAWING NUMBER: ED203004-200 ISSUE: R1-5		
DRAWN: ADS	CHECK: GC	DATE: 15/08/2007

main PAGE: 3  
 OF 15

WARNING! FOR SAFETY REASONS ALL COMPONENTS MUST BE REPLACED WITH FACTORY SUPPLIED PARTS.



THIS DOCUMENT AND THE INFORMATION CONTAINED THEREIN IS FOR THE CONFIDENTIAL USE OF NAIM AUDIO LTD AND THEIR APPOINTED AGENTS. NO PART MAY BE REPRODUCED OR USED ELSEWHERE IN ANY FORM OR BY ANY MEANS WITHOUT THE WRITTEN PERMISSION OF NAIM AUDIO LTD.



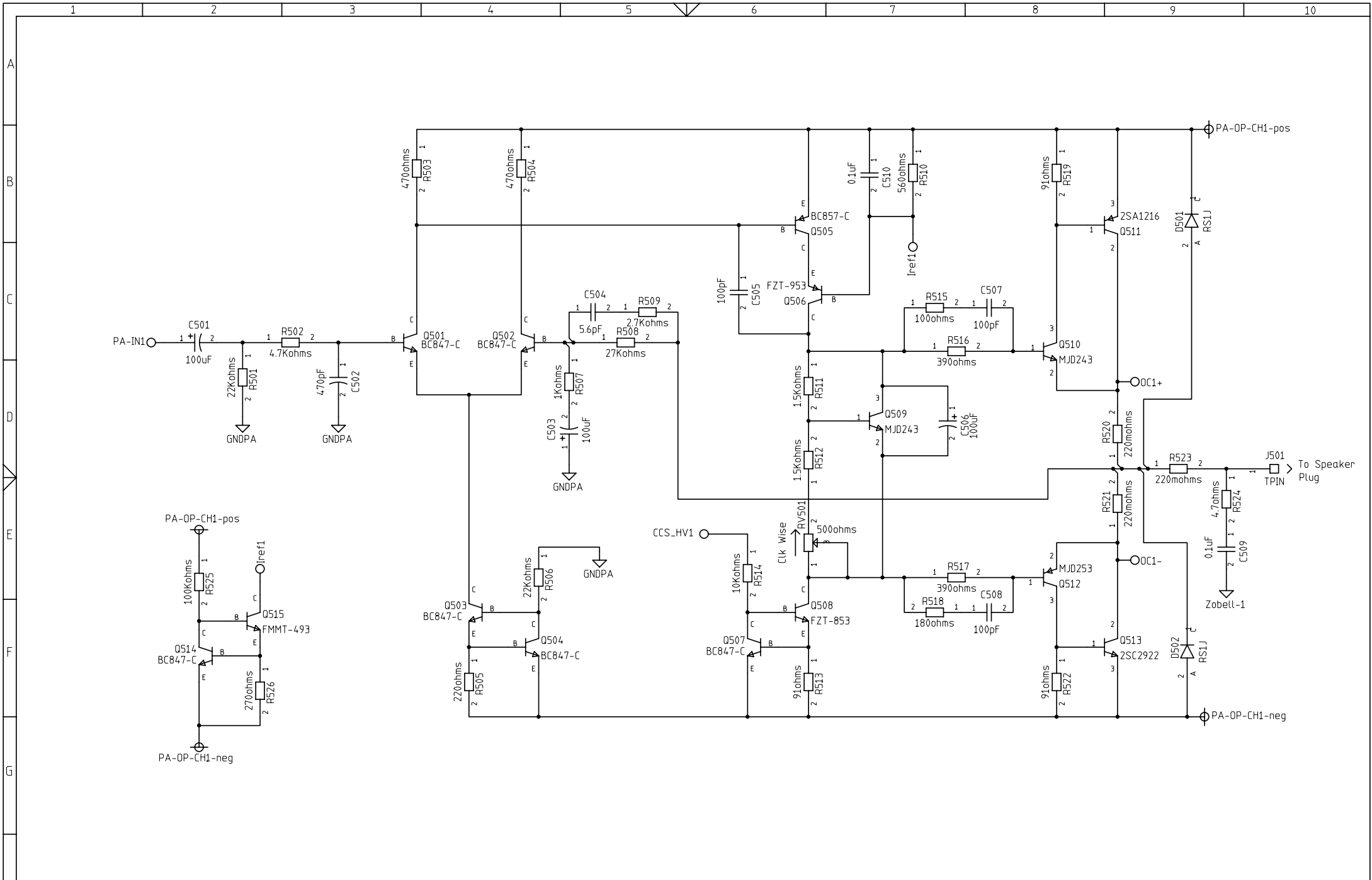
NAIM AUDIO LTD  
SOUTHAMPTON ROAD, SALISBURY  
WILTS, SP1 2LN, ENGLAND  
tel: 01722 332266 fax: 01722 412034

TITLE: Main Board Output Filter Ch1 Ch2  
DRAWING NUMBER: ED203004-200 ISSUE: R1-5  
DRAWN: ADS CHECK: GC DATE: 15/08/2007

main PAGE: 04  
OF 15

WARNING! FOR SAFETY REASONS ALL COMPONENTS MUST BE REPLACED WITH FACTORY SUPPLIED PARTS.

FILE: R:\- P R O J E C T S -\203XXX - Integrated Amps\203004 - Super Nait\ED203004 - PCB Projects\ED203004-200 - Main\ED203004-200\_R1-5E1\main.sbk



THIS DOCUMENT AND THE INFORMATION CONTAINED THEREIN IS FOR THE CONFIDENTIAL USE OF NAIM AUDIO LTD AND THEIR APPOINTED AGENTS. NO PART MAY BE REPRODUCED OR USED ELSEWHERE IN ANY FORM OR BY ANY MEANS WITHOUT THE WRITTEN PERMISSION OF NAIM AUDIO LTD.



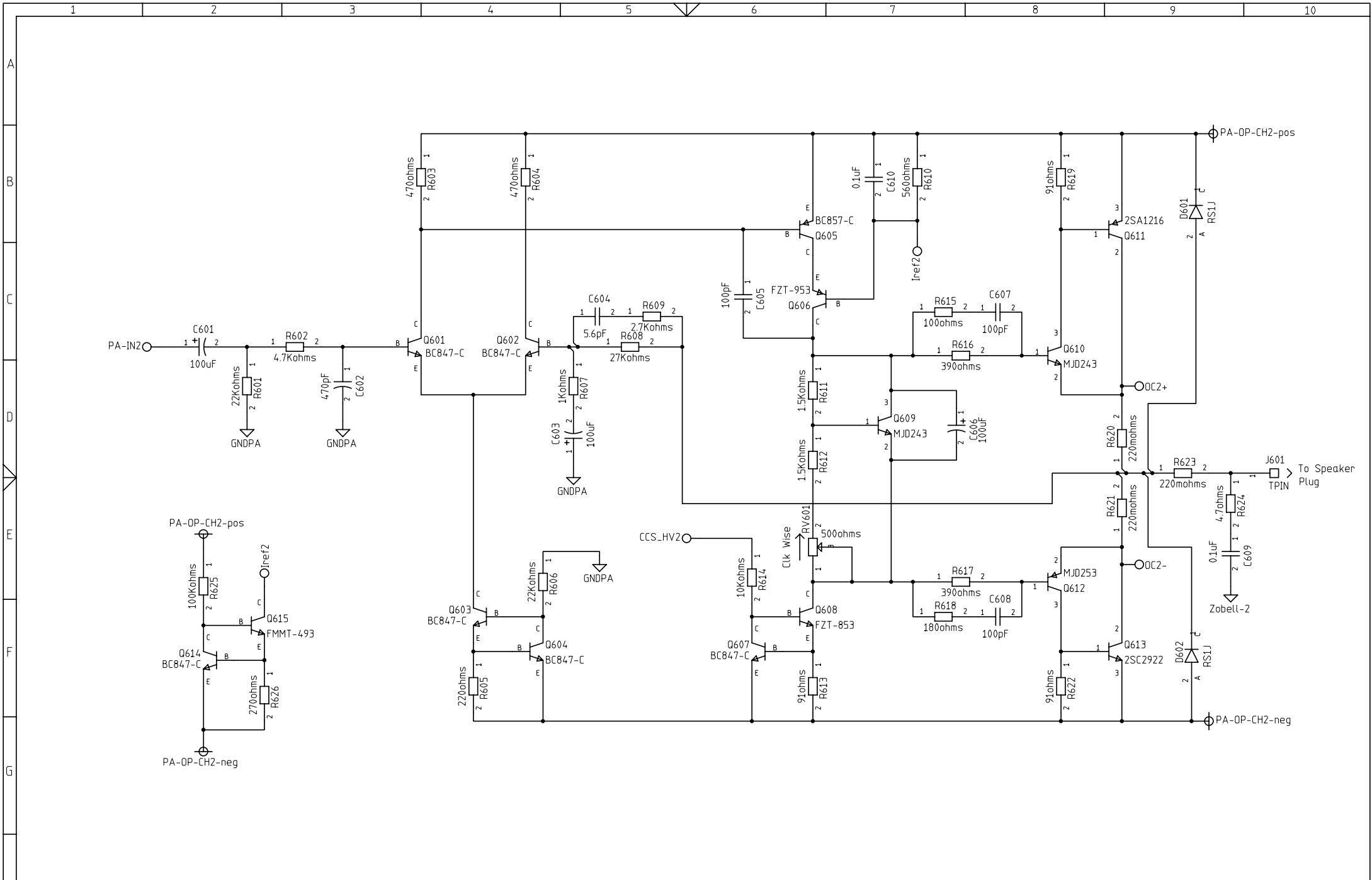
NAIM AUDIO LTD  
 SOUTHAMPTON ROAD, SALISBURY  
 WILTS, SP1 2LN, ENGLAND  
 tel: 01722 332266 fax: 01722 412034

TITLE: Main Board PA Channel 1  
 DRAWING NUMBER: ED203004-200 ISSUE: R1-5  
 DRAWN: ADS CHECK: GC DATE: 15/08/2007

main PAGE: 05  
 OF 15

WARNING! FOR SAFETY REASONS ALL COMPONENTS MUST BE REPLACED WITH FACTORY SUPPLIED PARTS.

FILE: R:\- P R O J E C T S -\203XXX - Integrated Amps\203004 - Super Nait\ED203004 - PCB Projects\ED203004-200 - Main\ED203004-200\_R1-5E1\main.sbk



THIS DOCUMENT AND THE INFORMATION CONTAINED THEREIN IS FOR THE CONFIDENTIAL USE OF NAIM AUDIO LTD AND THEIR APPOINTED AGENTS. NO PART MAY BE REPRODUCED OR USED ELSEWHERE IN ANY FORM OR BY ANY MEANS WITHOUT THE WRITTEN PERMISSION OF NAIM AUDIO LTD.



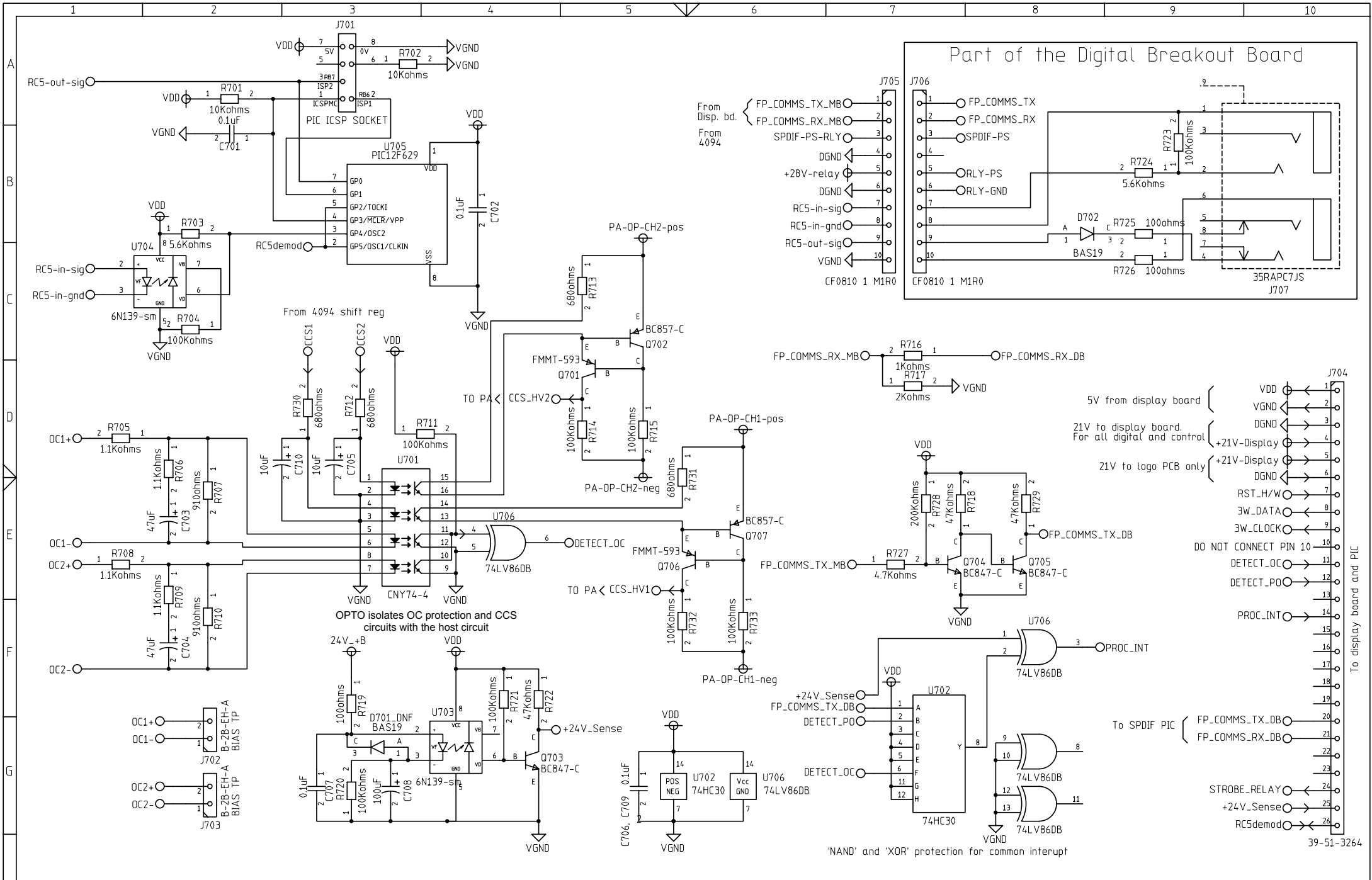
NAIM AUDIO LTD  
SOUTHAMPTON ROAD, SALISBURY  
WILTS, SP1 2LN, ENGLAND  
tel: 01722 332266 fax: 01722 412034

TITLE: Main Board PA Channel 2		
DRAWING NUMBER: ED203004-200 ISSUE: R1-5		
DRAWN: ADS	CHECK: GC	DATE: 15/08/2007

main PAGE: 06  
OF 15

WARNING! FOR SAFETY REASONS ALL COMPONENTS MUST BE REPLACED WITH FACTORY SUPPLIED PARTS.

FILE: R:\- P R O J E C T S -\203XXX - Integrated Amps\203004 - Super Nait\ED203004 - PCB Projects\ED203004-200 - Main\ED203004-200\_R1-5E1\main.sbk



THIS DOCUMENT AND THE INFORMATION CONTAINED THEREIN IS FOR THE CONFIDENTIAL USE OF NAIM AUDIO LTD AND THEIR APPOINTED AGENTS. NO PART MAY BE REPRODUCED OR USED ELSEWHERE IN ANY FORM OR BY ANY MEANS WITHOUT THE WRITTEN PERMISSION OF NAIM AUDIO LTD.



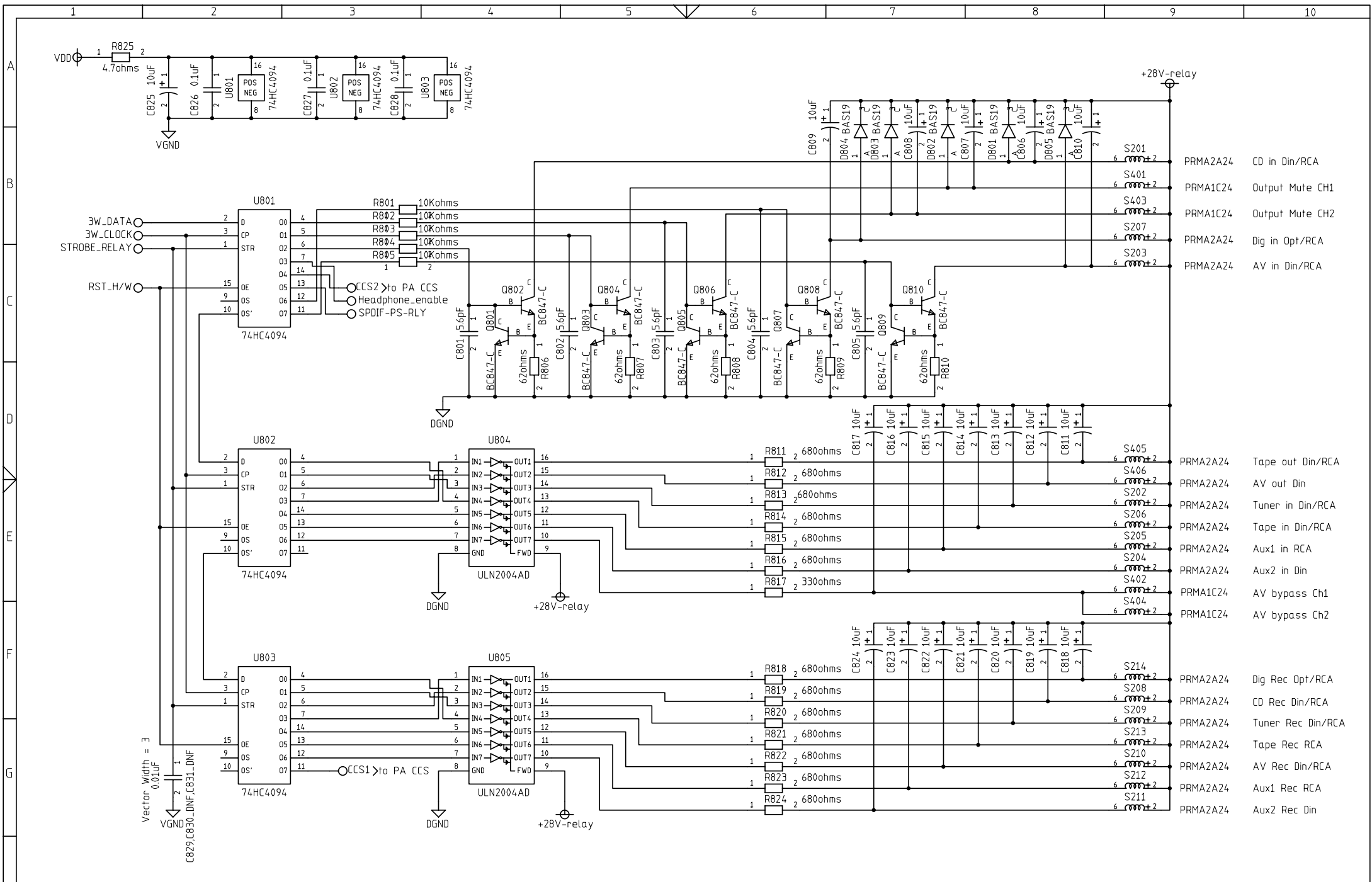
NAIM AUDIO LTD  
SOUTHAMPTON ROAD, SALISBURY  
WILTS, SP1 2LN, ENGLAND  
tel: 01722 332266 fax: 01722 412034

TITLE: PA Protection, 24V Sense and RC5  
DRAWING NUMBER: ED203004-200 ISSUE: R1-5  
DRAWN: ADS CHECK: GC DATE: 15/08/2007

main PAGE: 07  
OF 15

WARNING! FOR SAFETY REASONS ALL COMPONENTS MUST BE REPLACED WITH FACTORY SUPPLIED PARTS.

FILE: R:\- P R O J E C T S -\203XXX - Integrated Amps\203004 - Super Nait\ED203004 - PCB Projects\ED203004-200 - Main\ED203004-200\_R1-5E1\main.sbk



THIS DOCUMENT AND THE INFORMATION CONTAINED THEREIN IS FOR THE CONFIDENTIAL USE OF NAIM AUDIO LTD AND THEIR APPOINTED AGENTS. NO PART MAY BE REPRODUCED OR USED ELSEWHERE IN ANY FORM OR BY ANY MEANS WITHOUT THE WRITTEN PERMISSION OF NAIM AUDIO LTD.

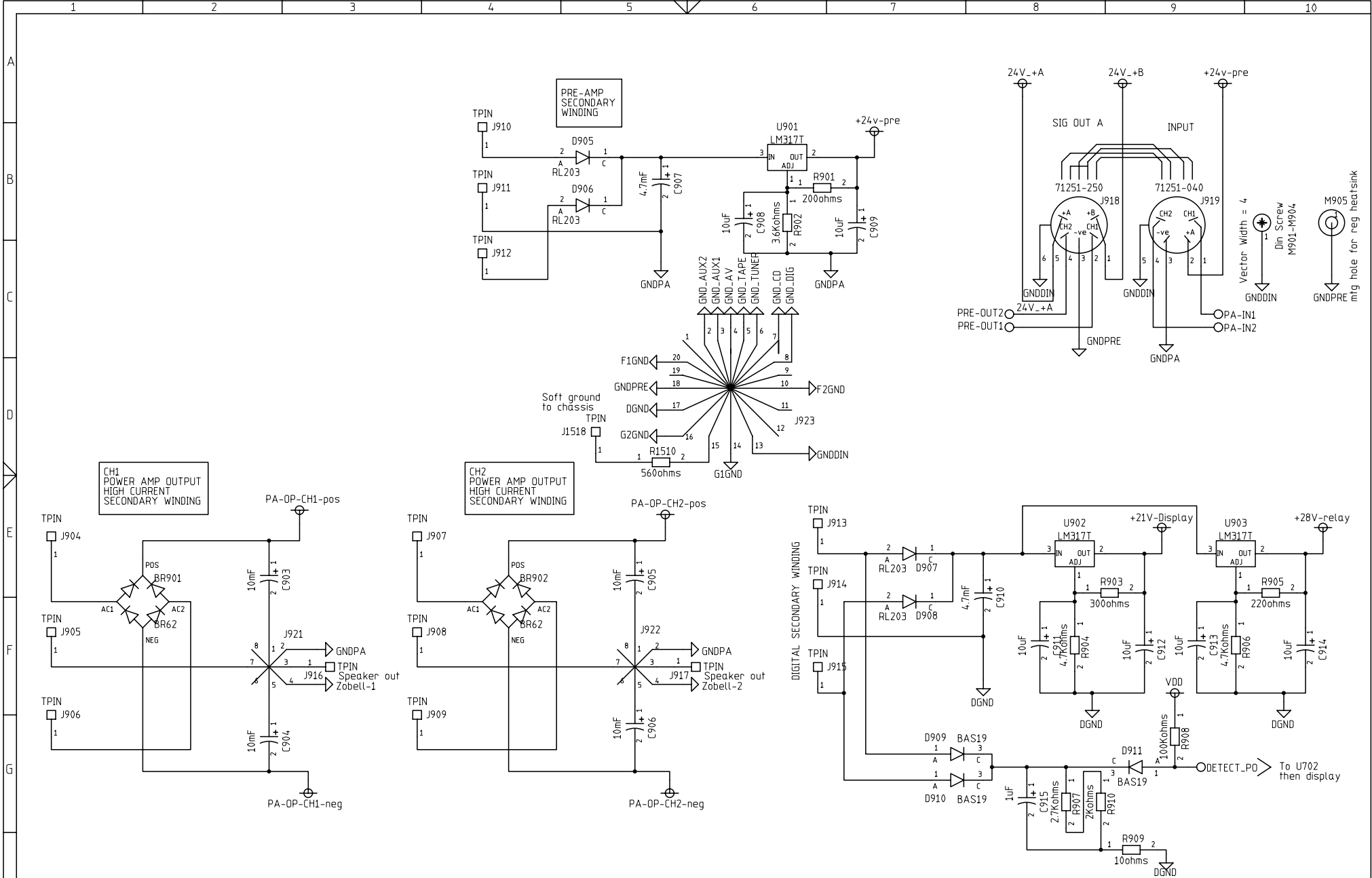
**naim**  
 NAIM AUDIO LTD  
 SOUTHAMPTON ROAD, SALISBURY  
 WILTS, SP1 2LN, ENGLAND  
 tel: 01722 332266 fax: 01722 412034

TITLE: Main Board Relay Drives  
 DRAWING NUMBER: ED203004-200 ISSUE: R1-5  
 DRAWN: ADS CHECK: GC DATE: 15/08/2007

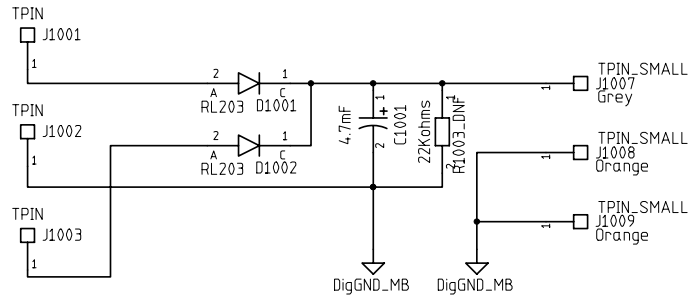
main PAGE: 08  
 OF 15

WARNING! FOR SAFETY REASONS ALL COMPONENTS MUST BE REPLACED WITH FACTORY SUPPLIED PARTS.

FILE: R:\- P R O J E C T S -\203XXX - Integrated Amps\203004 - Super Nait\ED203004 - PCB Projects\ED203004-200 - Main\ED203004-200\_R1-5E1\main.sbk

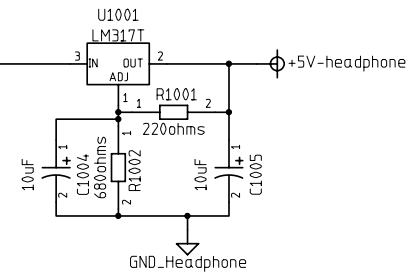
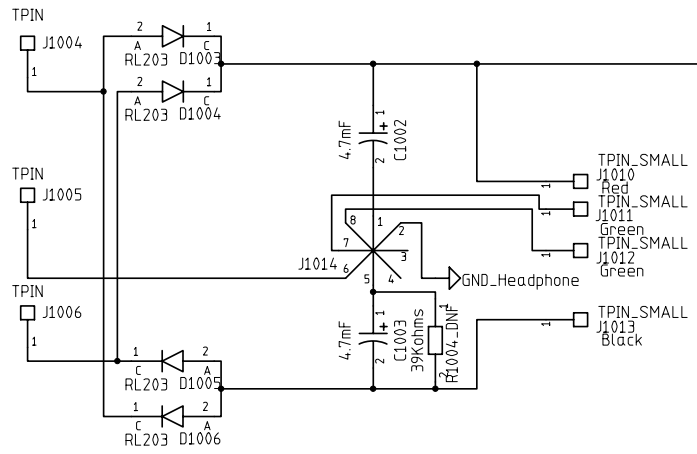


SPDIF 3v3 Dig  
SECONDARY  
WINDING



SOAK MODE  
Enable SPDIF PS

SPDIF 12v analog  
SECONDARY  
WINDING



GND\_Headphone -> +/- 12V analogue star  
+/- 12V analogue star -> ANGND on Digital board  
ANGND -> GND\_DIG on 26-way connector  
GND\_DIG -> GNDPRE on main board star

THIS DOCUMENT AND THE INFORMATION CONTAINED THEREIN IS FOR THE CONFIDENTIAL USE OF NAIM AUDIO LTD AND THEIR APPOINTED AGENTS. NO PART MAY BE REPRODUCED OR USED ELSEWHERE IN ANY FORM OR BY ANY MEANS WITHOUT THE WRITTEN PERMISSION OF NAIM AUDIO LTD.



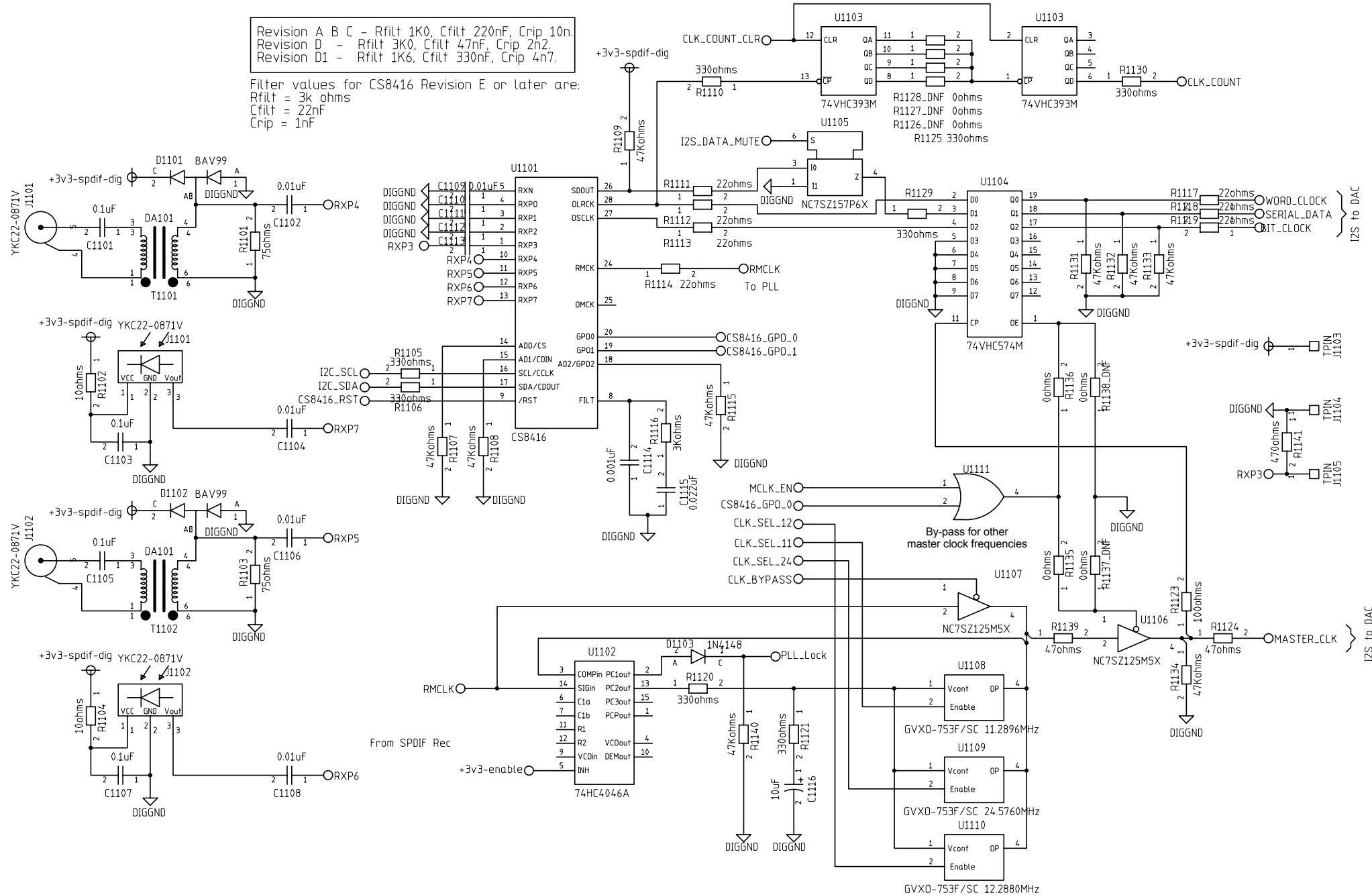
NAIM AUDIO LTD  
SOUTHAMPTON ROAD, SALISBURY  
WILTS, SP1 2LN, ENGLAND  
tel: 01722 332266 fax: 01722 412034

TITLE: Digital Board and Headphone PSU  
DRAWING NUMBER: ED203004-200 ISSUE: R1-5  
DRAWN: ADS CHECK: GC DATE: 15/08/2007

WARNING! FOR SAFETY REASONS ALL COMPONENTS MUST BE REPLACED WITH FACTORY SUPPLIED PARTS.

Revision A B C - Rfilt 1K0, Cfilt 220nF, Crip 10n.  
 Revision D - Rfilt 3k0, Cfilt 47nF, Crip 2n2.  
 Revision D1 - Rfilt 1K6, Cfilt 330nF, Crip 4n7.

Filter values for CS8416 Revision E or later are:  
 Rfilt = 3k ohms  
 Cfilt = 22nF  
 Crip = 1nF



THIS DOCUMENT AND THE INFORMATION CONTAINED THEREIN IS FOR THE CONFIDENTIAL USE OF NAIM AUDIO LTD AND THEIR APPOINTED AGENTS. NO PART MAY BE REPRODUCED OR USED ELSEWHERE IN ANY FORM OR BY ANY MEANS WITHOUT THE WRITTEN PERMISSION OF NAIM AUDIO LTD.



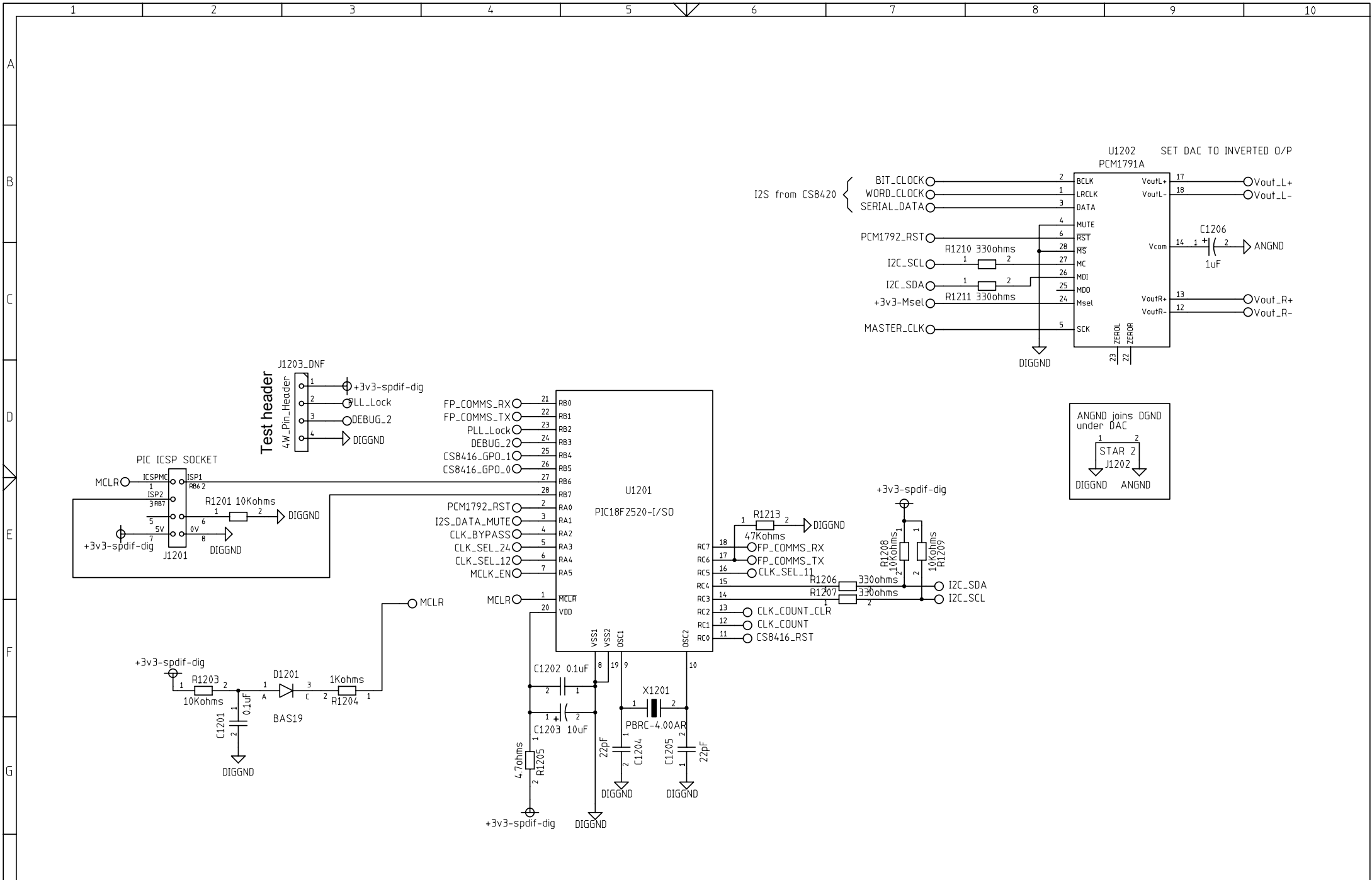
NAIM AUDIO LTD  
 SOUTHAMPTON ROAD, SALISBURY  
 WILTS, SP1 2LN, ENGLAND  
 tel: 01722 332266 fax: 01722 412034

TITLE: Dig Bd - Inputs, SPDif Rx, Reclocking  
 DRAWING NUMBER: ED203004-200 ISSUE: R1-5  
 DRAWN: ADS CHECK: GC DATE: 15/08/2007

main PAGE: 11  
 OF 15

WARNING! FOR SAFETY REASONS ALL COMPONENTS MUST BE REPLACED WITH FACTORY SUPPLIED PARTS

FILE: R:\ - P R O J E C T S - \203XXX - Integrated Amps\203004 - Super Nait\ED203004 - PCB Projects\ED203004-200 - Main\ED203004-200\_R1-5E1\main.sbk



THIS DOCUMENT AND THE INFORMATION CONTAINED THEREIN IS FOR THE CONFIDENTIAL USE OF NAIM AUDIO LTD AND THEIR APPOINTED AGENTS. NO PART MAY BE REPRODUCED OR USED ELSEWHERE IN ANY FORM OR BY ANY MEANS WITHOUT THE WRITTEN PERMISSION OF NAIM AUDIO LTD.

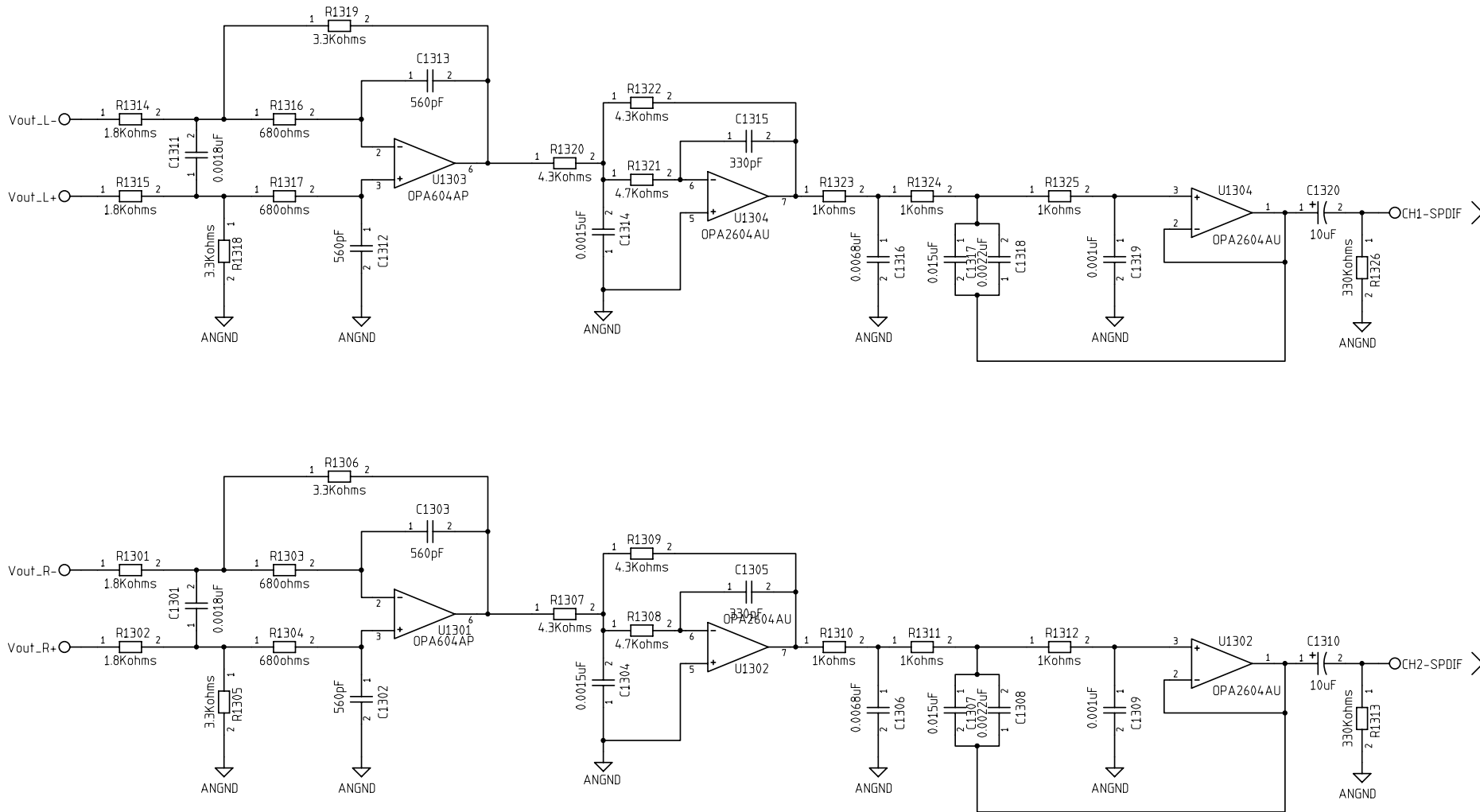


NAIM AUDIO LTD  
SOUTHAMPTON ROAD, SALISBURY  
WILTS, SP1 2LN, ENGLAND  
tel: 01722 332266 fax: 01722 412034

TITLE: Dig Bd - PIC and DAC  
DRAWING NUMBER: ED203004-200 ISSUE: R1-5  
DRAWN: ADS CHECK: GC DATE: 15/08/2007

main PAGE: 12  
OF 15

WARNING! FOR SAFETY REASONS ALL COMPONENTS MUST BE REPLACED WITH FACTORY SUPPLIED PARTS.



To main Header and Main board

THIS DOCUMENT AND THE INFORMATION CONTAINED THEREIN IS FOR THE CONFIDENTIAL USE OF NAIM AUDIO LTD AND THEIR APPOINTED AGENTS. NO PART MAY BE REPRODUCED OR USED ELSEWHERE IN ANY FORM OR BY ANY MEANS WITHOUT THE WRITTEN PERMISSION OF NAIM AUDIO LTD.



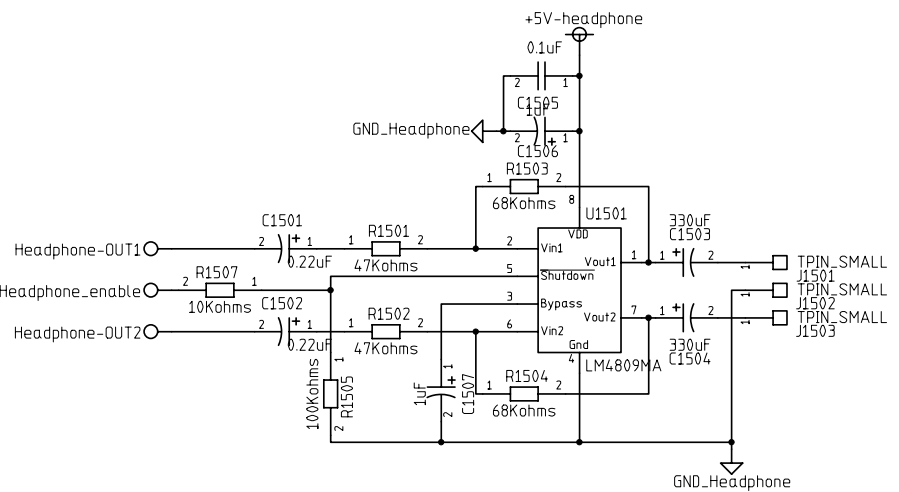
NAIM AUDIO LTD  
 SOUTHAMPTON ROAD, SALISBURY  
 WILTS, SP1 2LN, ENGLAND  
 tel: 01722 332266 fax: 01722 412034

TITLE: Dig Bd - I-V and Output Filters  
 DRAWING NUMBER: ED203004-200 ISSUE: R1-5  
 DRAWN: ADS CHECK: GC DATE: 15/08/2007

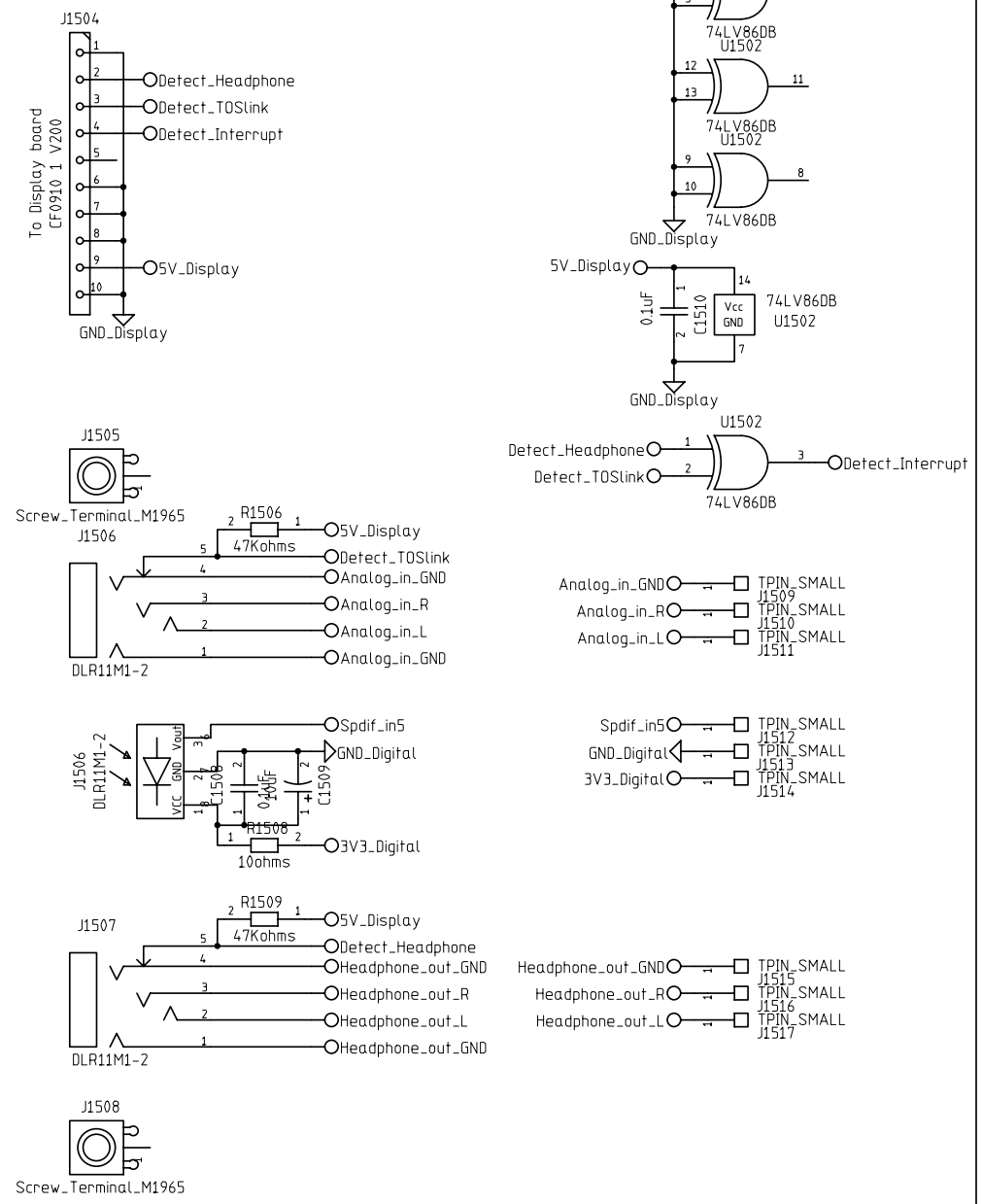
main PAGE: 13  
 OF 15

WARNING! FOR SAFETY REASONS ALL COMPONENTS MUST BE REPLACED WITH FACTORY SUPPLIED PARTS.





### FRONT PANEL JACK BOARD



THIS DOCUMENT AND THE INFORMATION CONTAINED THEREIN IS FOR THE CONFIDENTIAL USE OF NAIM AUDIO LTD AND THEIR APPOINTED AGENTS. NO PART MAY BE REPRODUCED OR USED ELSEWHERE IN ANY FORM OR BY ANY MEANS WITHOUT THE WRITTEN PERMISSION OF NAIM AUDIO LTD.



NAIM AUDIO LTD  
SOUTHAMPTON ROAD, SALISBURY  
WILTS, SP1 2LN, ENGLAND  
tel: 01722 332266 fax: 01722 412034

TITLE: Headphone Amp and Front Panel Bd  
DRAWING NUMBER: ED203004-200 ISSUE: R1-5  
DRAWN: ADS CHECK: GC DATE: 15/08/2007

WARNING! FOR SAFETY REASONS ALL COMPONENTS MUST BE REPLACED WITH FACTORY SUPPLIED PARTS.